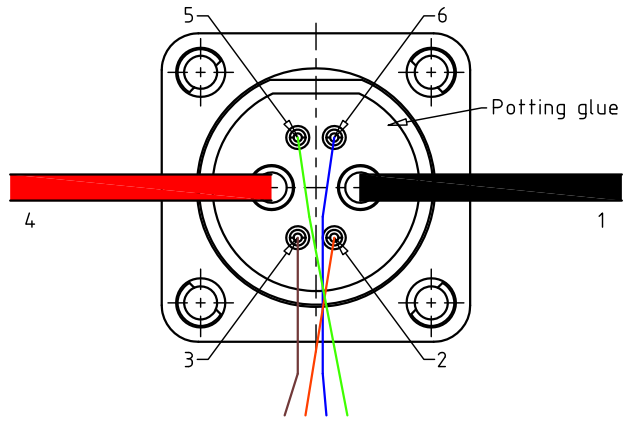
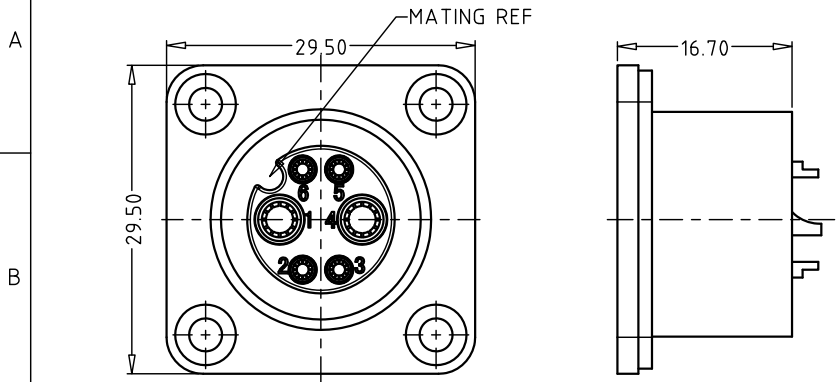


REV:X1

ECN. NO.	REV.	DATE	DESCRIPTION	CHANGE	APPD.
	X1	11/20'2016	INITIAL RELEASE	/	



1.Electric Characteristics:

- 1.1:Low level contact resistance:10milliohm Max.
- 1.2:Dielectric withstanding voltage:700VAC.
- 1.3:Insulation resistance:20megaohm Min.

2.Mechanical Characteristics:

- 2.1:Mating cycle:3000cycle.
- 2.2 Propose lock panel screw torque value is 4kgf/cm MAX.

3.Performance:

- 3.1:Voltage rating:48V AC,60V DC.
- 3.2:Current rating:  
4.5Amps (φ3.0pin and socket),5Amps (φ1.5pin and socket).
- 3.3:Operation temperature:-25°C ~ +80°C.

4.Requirement:

- 4.1:Environmental protection,accord ROHS 2.0.

5.Applicable wire:

- φ3.0 Contact:4.0mm<sup>2</sup> MAX.
- φ1.5 Contact:0.5mm<sup>2</sup> MAX.

6.Degree of protection:

IP67 in unmated condition(single side).

MAT'L: 见技术要求栏		上海海固电器设备有限公司 Shang hai Higo Electronic Technology Co., Ltd.								
UNITS: mm		TITLE: BATTERY FEMALE CONNECTOR FOR APPLICATION 36V SYSTEM		PART NO.: Z624CM C 05 D1 0150						
X.±: 1	X°.±: 5°	APPD:		DWG NO.:						
.X±: 0.50	.X°.±: 2°	CHED:		E-F06FTA46-00						
.XX±:0.10	.XX°.±:1°	DRAW: Gary zhou 11/20'2016								
				<table border="1" style="display: inline-table; vertical-align: middle;"> <tr> <th>SCALE</th> <th>SHEET</th> <th>REV.</th> </tr> <tr> <td>N/A</td> <td>1/1</td> <td></td> </tr> </table>	SCALE	SHEET	REV.	N/A	1/1	
SCALE	SHEET	REV.								
N/A	1/1									