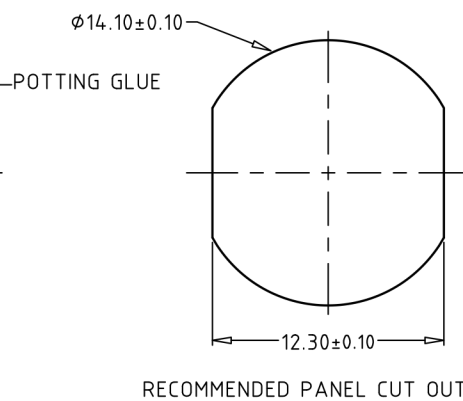
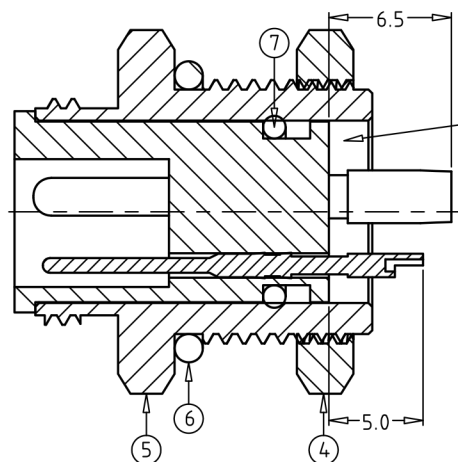
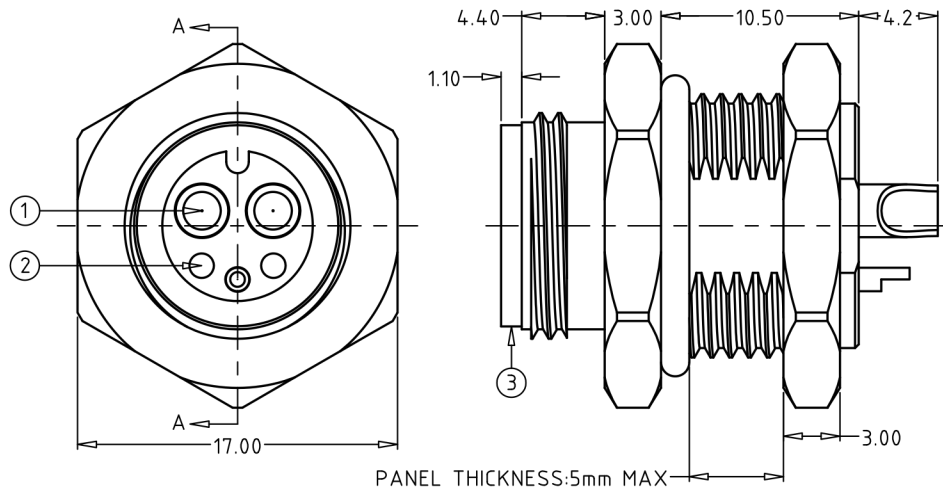


REV:X1

**PROTOTYPE, NO TOOLING YET AVAILABLE**

7	8	9	10
ECN. NO.	REV.	DATE	DESCRIPTION
	X1	10/24'2016	INITIAL RELEASE
			CHANGE
			APPD.



SECTION: A-A

7	"O" ring, $\phi 6 \times 1.5$ (TBD), SILICON RUBBER, BLACK COLOR	1PCS
6	"O" ring, $\phi 11 \times 1.5$ (TBD), SILICON RUBBER, BLACK COLOR	1PCS
5	BODY, BRASS (GB HPB-59-1), FULL NICKEL PLATED 200 $\mu$ MIN	1PCS
4	LOCK NUT, M14 $\times$ 1.0, BRASS (GB HPB-59-1), FULL NICKEL PLATED 200 $\mu$ MIN	1PCS
3	INSULATOR, PBT+30% GF(120 $^{\circ}$ C) UL94V-0, BLACK COLOR	1PCS
2	CONTACT SOCKET, $\phi 0.80$ , PHOSPHOR BRONZE (GB QSN6.5-0.1), 4 $\mu$ MIN GOLD PLATING OVER ALL 50~100 $\mu$ NICKEL UNDER PLATING OVER ALL	3PCS
1	CONTACT SOCKET, $\phi 2.00$ , PHOSPHOR BRONZE (GB QSN6.5-0.1), 4 $\mu$ MIN GOLD PLATING OVER ALL 50~100 $\mu$ NICKEL UNDER PLATING OVER ALL	2PCS

1. Electrical Characteristics:

- 1.1: Low level contact resistance: 10 milliohm Max.
- 1.2: Dielectric withstanding voltage: 700VAC.
- 1.3: Insulation resistance: 20 megaohm Min.

2. Mechanical Characteristics:

- 2.1: Durability: 200 cycle.

3. Performance:

- 3.1: Voltage rating: 48V AC, 60V DC.
- 3.2: Current rating: 30Amps ( $\phi 2.0$  pin and socket), 2Amps ( $\phi 0.8$  pin and socket).
- 3.3: Operation temperature: -25 $^{\circ}$ C ~ +80 $^{\circ}$ C.

4. Requirement:

- 4.1: Environmental protection, accord ROHS 2.0.

5. Applicable wire:

- $\phi 2.0$  Contact: 2.0mm<sup>2</sup> MAX.
- $\phi 0.8$  Contact: 0.2mm<sup>2</sup> MAX.

6. Degree of protection: IP67 in locked condition

Preliminary

item no.	Specification	QTY	MAT'L: 见技术要求栏		TITLE: L513 PANEL MOUNT CONN.		PART NO.: L513AM C 02 00 0000	
			UNITS: mm		DWG NO.: E-AF0510-00			
			X.±: 1	X°.±: 5°	APPD:	SCALE SHEET REV.		
			.X±: 0.50	.X°.±: 2°	CHED:	N/A	1/1	
			.XX±: 0.10	.XX°.±: 1°	DRAW: Gary zhou 10/24'2016			

**Higo** 上海海固电器设备有限公司  
Shang hai Higo Electronic Technology Co., Ltd.