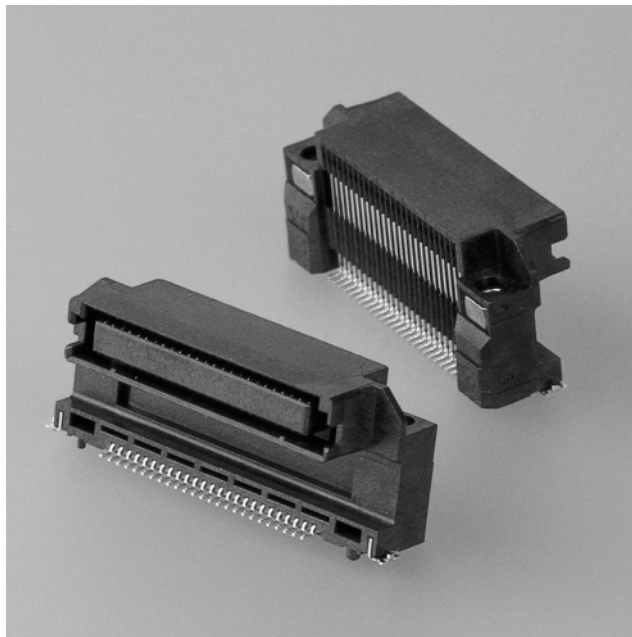
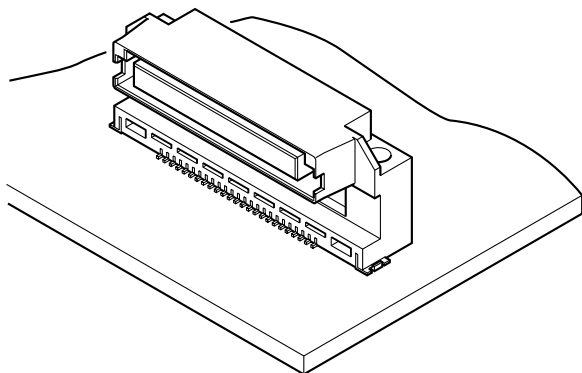


JCD CONNECTOR

Board-to-board connectors



SMT, 0.8mm pitch board-to-board connector



Features

- **Board-to-board connectors designed for the connection of CD-ROM/DVD-ROM drive that is built in a notebook PC.**

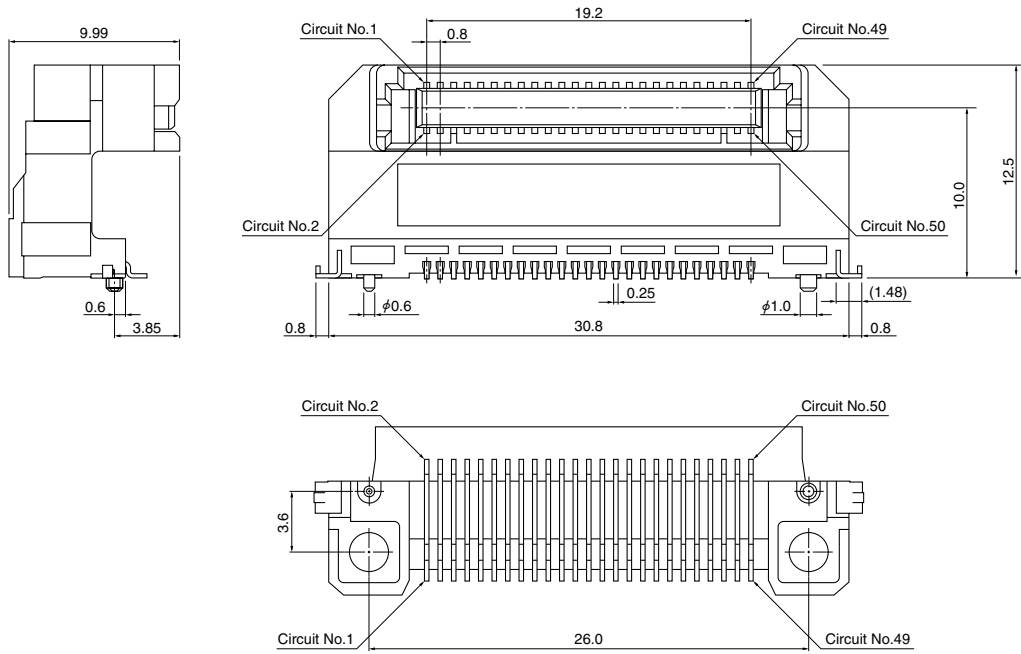
Specifications

- Current rating: 0.5A AC, DC
- Voltage rating: 50V AC, DC
- Temperature range: -25°C to +85°C
(including temperature rise in applying electrical current)
- Contact resistance: Initial value/70m Ω max.
After environmental testing/100m Ω max.
- Insulation resistance: 300M Ω min.
- Withstanding voltage: 500V AC/minute
- * RoHS compliant products are published.
- * Refer to "General Instruction and Notice when using Terminals and Connectors" at the end of this catalog.
- * Contact JST for details.

JCD CONNECTOR

Receptacle

● 50R-JCD-SS11-1110



Circuits	Type	Height (mm)	Model No.	Q'ty / box
50	Normal	9.3	50R-JCD-SS11-1193	480
		10.0	50R-JCD-SS11-1110	
		11.0	50R-JCD-SS11-1111A	
	Reverse	7.9	50R-JCD-SS11-R1179AF	560

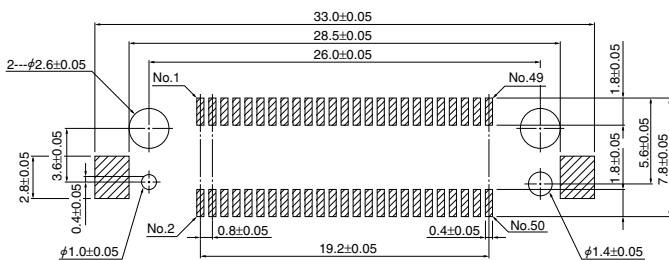
Material and Finish

Contact: Copper alloy, nickel-undercoated,
 Mating part: gold-plated
 Solder tail: tin-plated (reflow treatment)
 Housing: LCP:UL94V-0
 Solder tab: Copper alloy, nickel-undercoated, tin-plated (reflow treatment)
 Nut: Steel

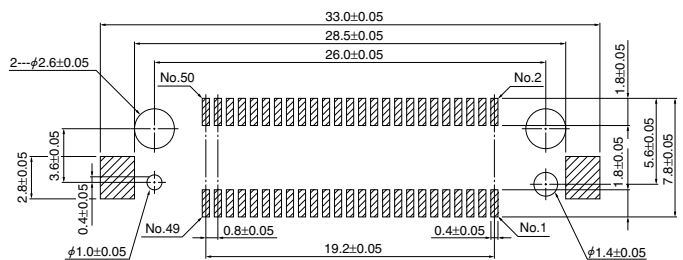
RoHS compliance This product displays (LF)(SN) on a label.

PC board layout (viewed from component side)

Normal type



Reverse type



Note:

1. Tolerances are non-cumulative: $\pm 0.05\text{mm}$ for all centers.
2. The dimensions above should serve as a guideline. Contact JST for details.