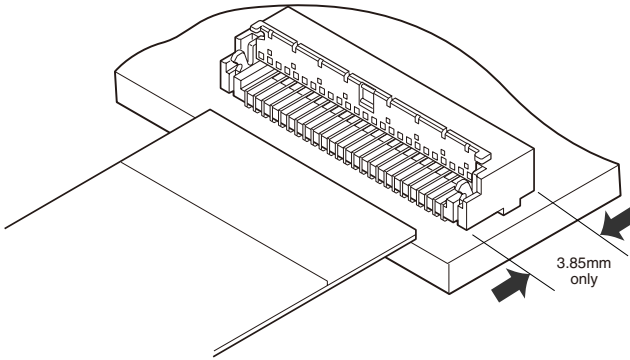


# FXS CONNECTOR

0.3mm pitch/Connectors for FPC



**Space saving flip lock type connector, with 1.8mm height and 3.85mm depth.**

- Space saving design
- Rotating cover structure
- Locking structure

## Specifications

- Current rating: 0.2A AC, DC
- Voltage rating: 50V AC, DC
- Temperature range: -25°C to +85°C  
(including temperature rise in applying electrical current)
- Contact resistance: Initial value/50m Ω max.  
After environmental testing/50m Ω max.  
(variation from initial value)
- Insulation resistance: 50M Ω min.
- Withstanding voltage: 200V AC/minute
- Applicable FPC: Conductor pitch/0.3mm  
<0.6mm pitch staggered>  
Conductor width/0.3mm  
Mating part thickness/0.2±0.03mm

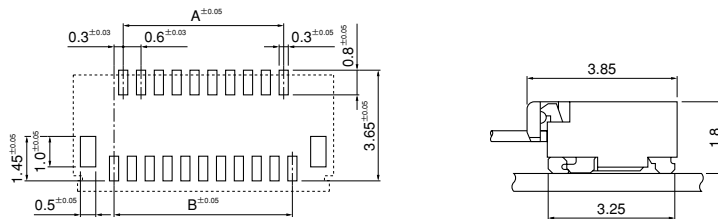
Note: FPC to be actually used should be checked for applicability.

- \* Compliant with RoHS.
- \* Refer to "General Instruction and Notice when using Terminals and Connectors" at the end of this catalog.
- \* Contact JST for details.

## Standards

- Ⓜ Recognized E60389
- Ⓢ Certified LR20812

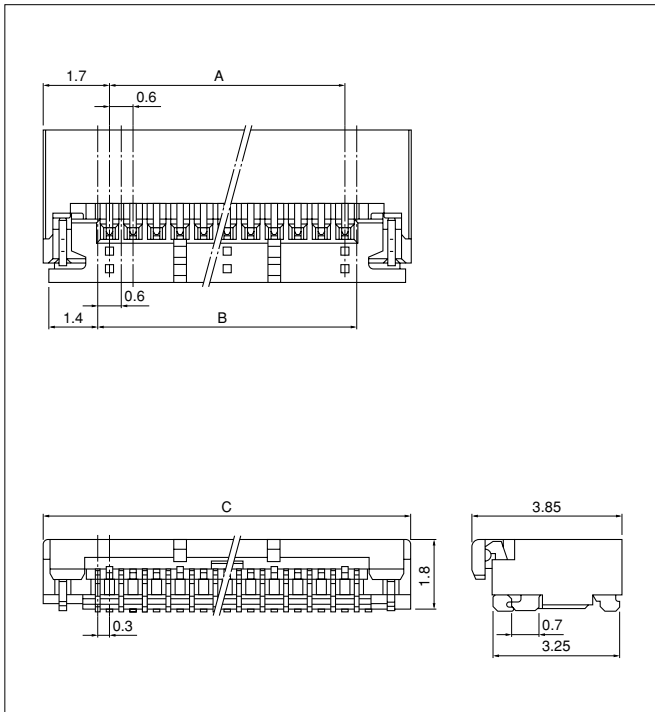
## PC board layout (viewed from component side) and Assembly layout



- Note: 1. Tolerances are non-cumulative: ±0.03mm for all centers.  
2. The dimensions above should serve as a guideline. Contact JST for details.

# FXS CONNECTOR

## Connector



### Gold-plated

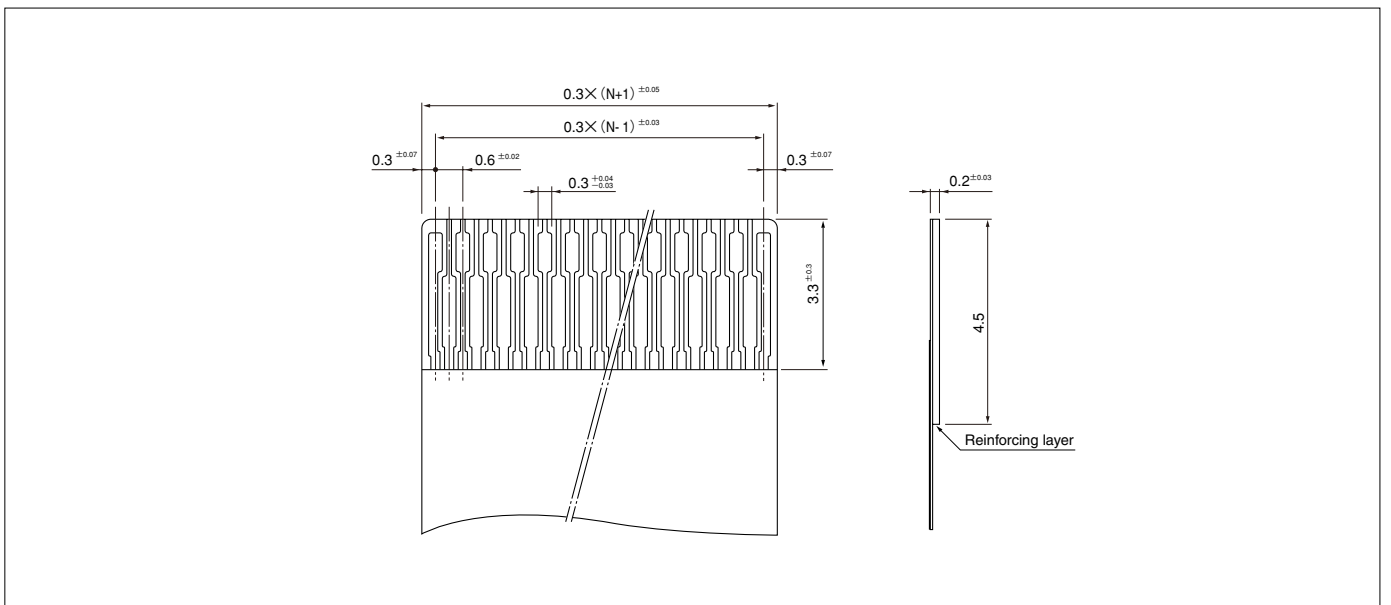
Circuits	Model No.	Dimensions (mm)			Q'ty / reel
		A	B	C	
17	17FXS-RSM1-GAN-TF (B)	4.2	4.8	7.6	2,500
21	21FXS-RSM1-GAN-TF (B)	5.4	6.0	8.8	2,500
25	25FXS-RSM1-GAN-TF (B)	6.6	7.2	10.0	2,500
33	33FXS-RSM1-GAN-TF (B)	9.0	9.6	12.4	2,500
39	39FXS-RSM1-GAN-TF (B)	10.8	11.4	14.2	2,500
45	45FXS-RSM1-GAN-TF (B)	12.6	13.2	16.0	2,500
51	51FXS-RSM1-GAN-TF (B)	14.4	15.0	17.8	2,500

### Material and Finish

Contact: Copper alloy, nickel-undercoated, gold-plated  
Housing: Heat resisting resin, UL94V-0  
Solder tab: Copper alloy, copper-undercoated, tin-plated (reflow treatment)  
Cover: Heat resisting resin, UL94V-0  
Reinforcing pin: KOVAR  
Rotary pin: KOVAR

**RoHS compliance** This product displays (LF)(SN) on a label.  
Note: Contact JST for tin-plated products.

## Lead section dimensions of FPC



Note: N---Number of circuits