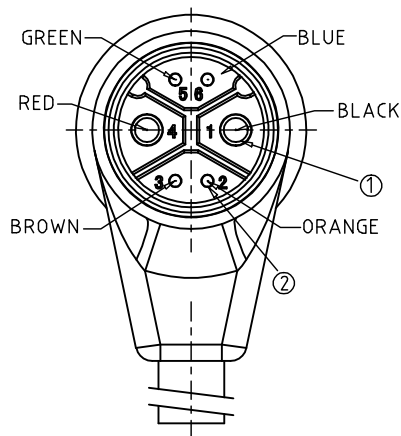
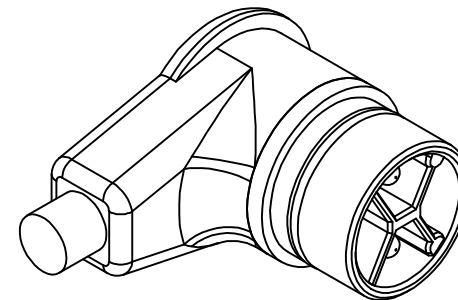
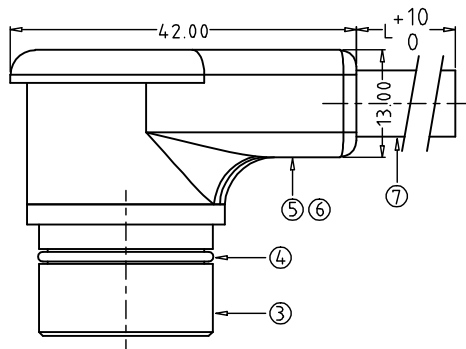
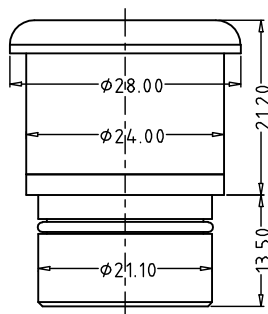


REV:X1

ECN. NO.	REV.	DATE	DESCRIPTION	CHANGE	APPD.
	X1	03/20'2017	INITIAL RELEASE	/	



Preliminary

- 1.Electric Characteristics:
  - 1.1:Low level contact resistance:10milliohm Max.
  - 1.2:Dielectric withstanding voltage:700VAC.
  - 1.3:Insulation resistance:20megaohm Min.
- 2.Mechanical Characteristics:
  - 2.1:Mating cycle:3000cycle.
  - 2.2:Insertion force:80N MAX.
  - 2.3:Withdrawal force:10N MIN.
- 3.Performance:
  - 3.1:Voltage rating:48V AC,60V DC.
  - 3.2:Current rating:  
25Amps (ø3.0pin and socket),5Amps (ø1.5pin and socket).
  - 3.3:Operation temperature:-25°C~+80°C.
- 4.Requirement:
  - 4.1:Environmental protection,accord ROHS 2.0.
- 5.Applicable wire:
  - ø3.0 Contact:2.40mm<sup>2</sup> MAX.
  - ø1.5 Contact:0.5mm<sup>2</sup> MAX.
- 6.Degree of protection:
  - IP67 in mated condition.

7	6 POLE CABLE,ø8.0,2×2.0mm <sup>2</sup> +4×0.34mm <sup>2</sup> ,TINNED COPPER,PVC INSULATION(105°C),TPU JACKET(80°C),BLACK COLOR	1PCS
6	INNER MOLD, PVC(105°C),SHORE HARDNESS 95A, UL94V-0, BLACK COLOR	1PCS
5	OUTER MOLD, PVC(105°C),SHORE HARDNESS 95A, UL94V-0, BLACK COLOR	1PCS
4	"O" ring,ø13×1.5(TBD),SILICON RUBBER,BLACK COLOR	1PCS
3	INSULATOR,PBT+30% GF(120°C) UL94V-0, BLACK COLOR	1PCS
2	CONTACT PIN, ø1.50,BRASS (GB HPB-59-1) ,160u" MIN SILVER PLATING OVER ALL 50~100u"NICKEL UNDER PLATING OVER ALL	4PCS
1	CONTACT PIN, ø3.00,BRASS (GB HPB-59-1) ,160u" MIN SILVER PLATING OVER ALL 50~100u"NICKEL UNDER PLATING OVER ALL	2PCS
item no.	Specification	QTY

MAT'L:	/		<b>上海海固电器设备有限公司</b> Shanghai Higo Electronic Technology Co., Ltd.	
UNITS:	mm	TITLE:	BATTERY CONNECTOR 90° PLUG FOR APPLICATION 48V SYSTEM	
X.±:	5	X°.±:	5°	APPD:
.X.±:	1	.X°.±:	2°	CHED:
.XX.±:	0.30	.XX°.±:	1°	DRAW: Songtao Xie 03/20'2017
		PART NO.:	Z624BG A 00 B7 1000	
		DWG NO.:	E-F06MTA47-00	
		SCALE	SHEET	REV.
		N/A	1/1	