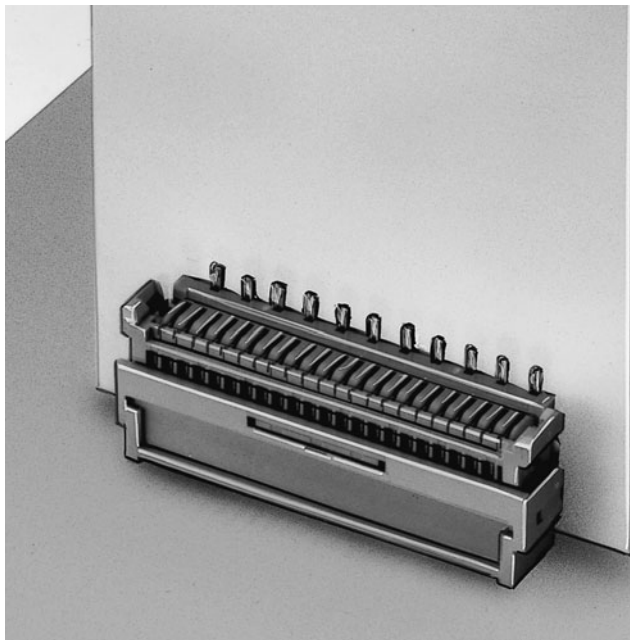
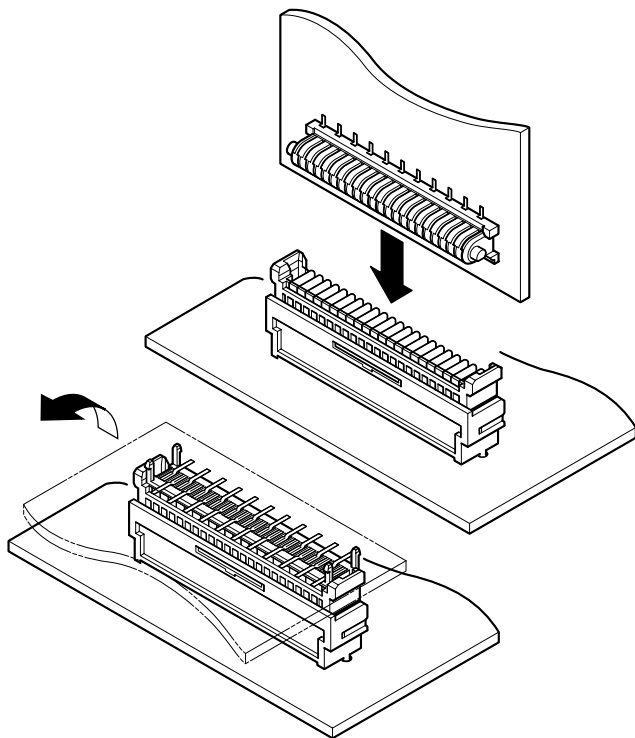


# HQM CONNECTOR

Hinge type Board-to-board Connectors



**Hinge type board to board connectors which allow mated PCB's to move 90° in respect to one another while electricity is turned on. The hinge compensates for slight misalignments between circuit boards to assure a secure connection even if the boards are out of line up to 0.5mm. Thus design and circuit checks can be as easily made as opening a door.**



## Features

### • **Hinged connection**

With hinge construction, the HQM connector features flexibility. Thus this board to board connector allows mated PCB's to move 90° in respect to one another while electricity is turned on.

### • **Flexible connection by absorbing circuit board misalignment**

The hinge compensates for slight misalignments between circuit boards to assure a secure connection even if the boards are out of line up to 0.5mm. Thus design and circuit checks can be as easily made as opening a door.

### • **Connector halves can be mated after mounting on circuit boards**

Connector halves can be mated after mounting on circuit boards. The boards can then be rotated 90°. This will ease equipment maintenance by allowing access to tight spaces.

## Specifications

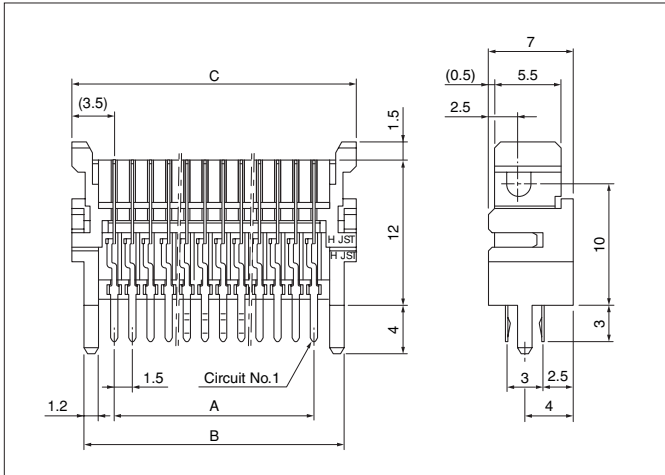
- Current rating: 1.0A AC, DC
- Voltage rating: 100V AC, DC
- Temperature range: -25°C to +85°C  
(including temperature rise in applying electrical current)
- Contact resistance: Initial value/40m Ω max.  
After environmental testing/60m Ω max.
- Insulation resistance: 500M Ω min.
- Withstanding voltage: 500V AC/minute
- Applicable PC board thickness: 1.6mm
- \* Compliant with RoHS.
- \* Refer to "General Instruction and Notice when using Terminals and Connectors" at the end of this catalog.
- \* Contact JST for details.

## Standards

Recognized E60389

Certified LR20812

## Plug



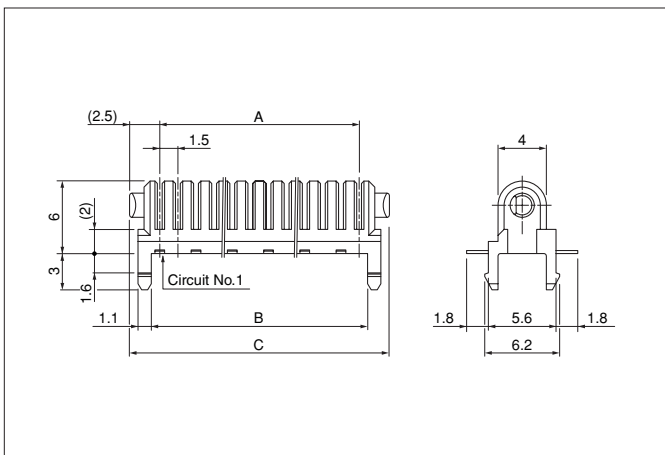
Circuits	Model No.	Dimensions (mm)			Q'ty / box
		A	B	C	
21	<b>21P-HQM-1</b>	30.0	35.0	37.0	180

### Material and Finish

Contact: Phosphor bronze, tin-plated(reflow treatment)  
Housing: Glass-filled PA 66, UL94V-0

### RoHS compliance

## Receptacle



Circuits	Model No.	Dimensions (mm)			Q'ty / box
		A	B	C	
21	<b>21R-HQM</b>	30.0	31.4	35.0	240

### Material and Finish

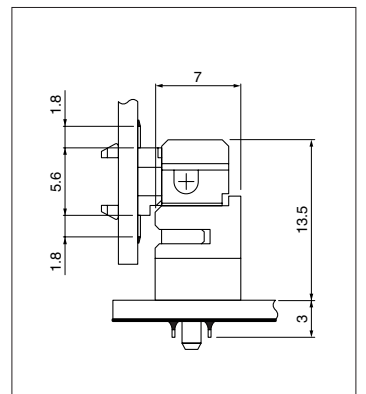
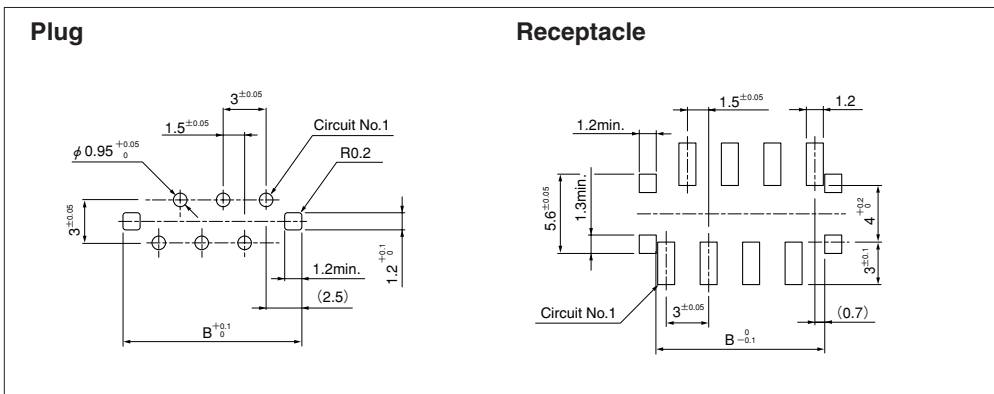
Contact: Phosphor bronze, tin-plated(reflow treatment)  
Housing: Glass-filled PA 66, UL94V-0

### RoHS compliance

Note: These products are for manual soldering.

## PC board layout (viewed from component side)

## Assembly layout



### Note:

1. Tolerances are non-cumulative:  $\pm 0.05\text{mm}$  for all centers.
2. Hole dimensions differ according to the kind of PC board and piercing method. The dimensions above should serve as a guideline. Contact JST for details.