



inserts:	page:
CK 3 poles + ⊕	48
CK 4 poles + ⊕	48
CKS 3 poles + ⊕	49
CKS 4 poles + ⊕	49
CD * 8 poles	54
CQ 12 poles + ⊕	165
CQ 5 poles + ⊕	166
CJ KF.....	503
(can be used only in I enclosures)	
CJK 8	506
CX 1/2 BD.....	512
CLK SC	509

* to ensure IP68 protection rating with CD 08 insert, purchase the kit CKR 65 D. In this case do not use the screw supplied with the enclosure.

insert dimensions:
21 x 21 mm

bulkhead mounting housing

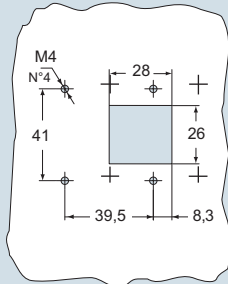


angled bulkhead mounting housings

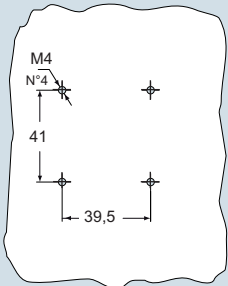


description	part No.	part No.	entry Pg	part No.	entry M
bulkhead mounting housing	CGK I				
without cable entry (on request)		CGK IA			
with cable entry		CGK IAP13	13.5	MGK IAP20	20

panel cut-out for CGK IA enclosures, in mm

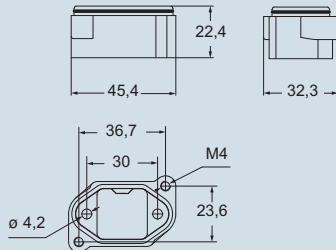


panel cut-out for CGK/MGK IAP enclosures, in mm

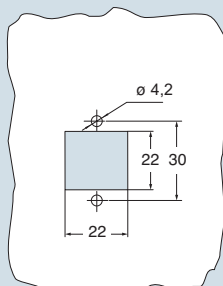


dimensions in mm

CGK I

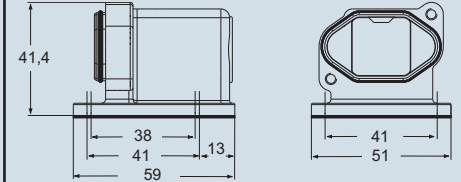


panel cut-out for CGK I enclosures, in mm

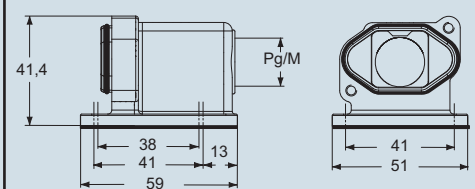


dimensions in mm

CGK IA



CGK IAP and MGK IAP



dust protection cover



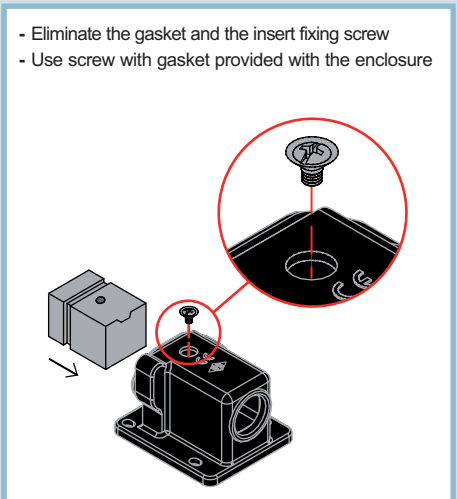
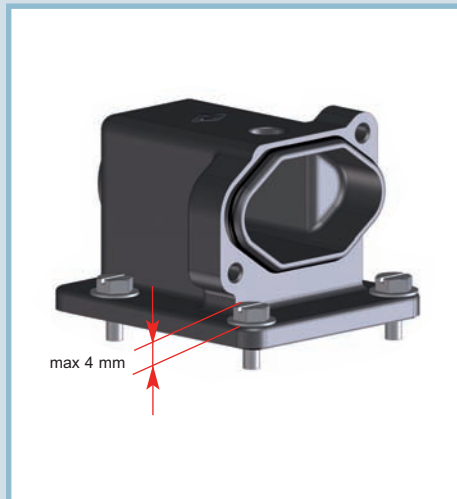
CGKCP FX from page 497

CALUS® Type 12
Type 4/4X



IP69K (compliant with DIN 40050-9)

dimensions shown are not binding and may be changed without notice



- Eliminate the gasket and the insert fixing screw
- Use screw with gasket provided with the enclosure

High protection IP68 version



inserts:	page:
CK 3 poles + ⊕	48
CK 4 poles + ⊕	48
CKS 3 poles + ⊕	49
CKS 4 poles + ⊕	49
CD * 8 poles	54
CQ 12 poles + ⊕	165
CQ 5 poles + ⊕	166
CJ KM.....	503
(can be used only in hoods)	
CJK 8	506
CX 1/2 BD.....	512
CLK SC	509

* to ensure IP68 protection rating with CD 08 insert, purchase the kit CKR 65 D. In this case do not use the screw supplied with the enclosure.

insert dimensions:
21 x 21 mm

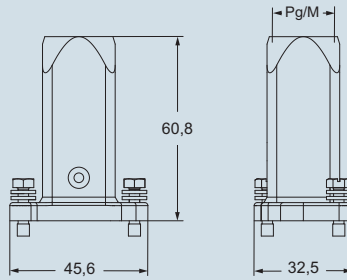
hoods



description	part No.	entry Pg	part No.	entry M
top entry	CGK V13	13.5	MGK V20	20

dimensions in mm

CGK V and MGK V



CAVUS® Type 12
Type 4/4X



IP69K (compliant with DIN 40050-9)

dimensions shown are not binding
and may be changed without notice



inserts:	page:
CK 3 poles + ⊕	48
CK 4 poles + ⊕	48
CKS 3 poles + ⊕	49
CKS 4 poles + ⊕	49
CD * 8 poles	54
CQ 12 poles + ⊕	165
CQ 5 poles + ⊕	166
CJ KF.....	503
(can be used only in I/IAP enclosures)	
CJ KM.....	503
(can be used only in hoods)	
CJK 8	506
CX 1/2 BD.....	512
CLK SC	509

* to ensure IP68 protection rating with CD 08 insert, purchase the kit CKR 65 D. In this case do not use the screw supplied with the enclosure.

insert dimensions: **21 x 21 mm**

bulkhead mounting housing



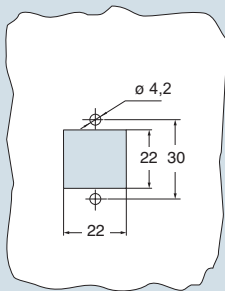
hoods



description	part No.	part No.	entry Pg	part No.	entry M
bulkhead mounting housing	CGK I B				
top entry		CGK V13 B	13,5	MGK V20 B	20

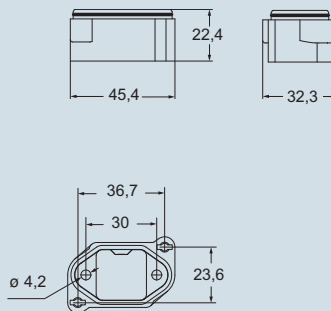
- Eliminate the gasket and the insert fixing screw
- Use screw with gasket provided with the enclosure

panel cut-out for CGK I B enclosures, in mm



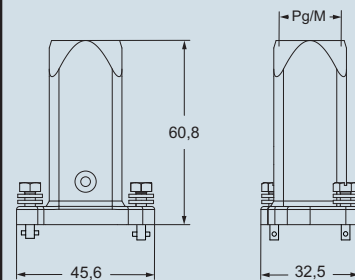
dimensions in mm

CGK I B



dimensions in mm

CGK V B and MGK V B



dust protection cover



CGKCP FX from page 497

dust protection cover



CGKCP MB from page 497

CALUS Type 12
Type 4/4X



IP69K (compliant with DIN 40050-9)

dimensions shown are not binding and may be changed without notice

High protection IP68 version