

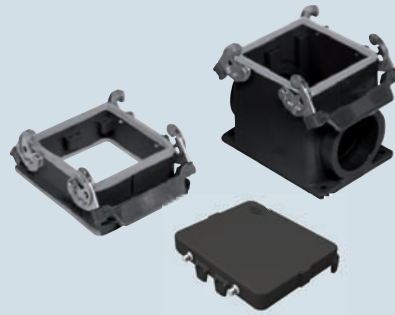


inserts:	page:
CD ..... 80 poles + ⊕	60
CDD ..... 144 poles + ⊕	73
CDS ..... 54 poles + ⊕	82
CSH ..... 32 poles + ⊕	95
CNE, CSE ..... 32 poles + ⊕	108
CCE ..... 32 poles + ⊕	114
CSS ..... 32 poles + ⊕	126
CTSE (16A) *) ..... 32 poles + ⊕	134
CQE ..... 64 poles + ⊕	142
CMCE ..... 12+4 (aux) poles + ⊕	154
CME ..... 12+4 (aux) poles + ⊕	155
CMSH ..... 12+4 (aux) poles + ⊕	155
CP ..... 12 poles + ⊕	163
MIXO ..... 4 + 4 modules	179-215

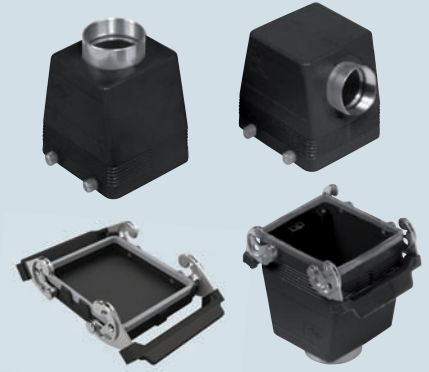
\*) only for enclosure CHIW 32

insert centre distance:  
2 x (77.5 x 27) mm

## housings and cover

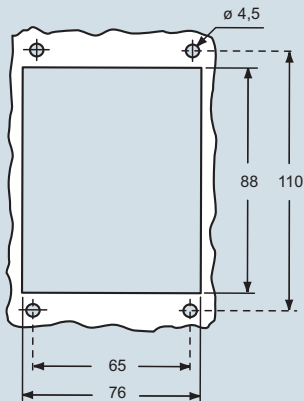


## hoods and cover



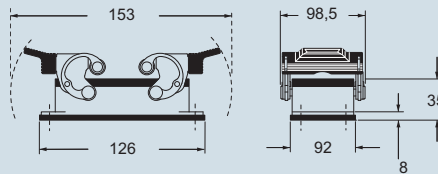
description	part No.		part No.		part No.		part No.	
	entry Pg	entry M	entry Pg	entry M	entry Pg	entry M	entry Pg	entry M
bulkhead mounting housing with levers	—	—	—	—	—	—	—	—
surface mounting housing, with levers	36	50	36	50	36	40	36	40
cover with 4 pegs (for enclosures with 2 levers) 1)	36	50	36	50	36	40	36	40
enclosure with pegs, side entry, enclosure with pegs, top entry,	—	—	—	—	36	40	36	40
cover with 2 levers (for enclosures with 4 pegs) 2) 2)	—	—	—	—	36	40	36	40
enclosure with levers and gasket, top entry, high construction	—	—	—	—	36	40	36	40

## panel cut-out for bulkhead mounting housings in mm

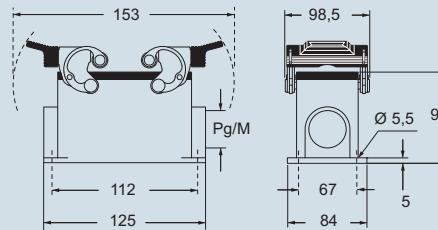


## dimensions in mm

### CHIW



### CHPW and MHPW

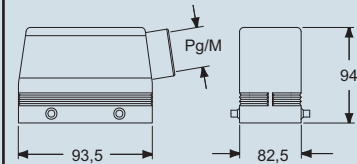


### CHCW

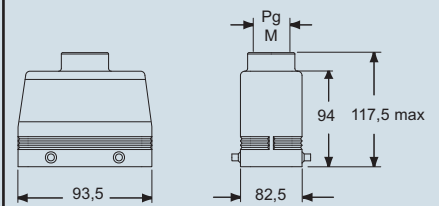


## dimensions in mm

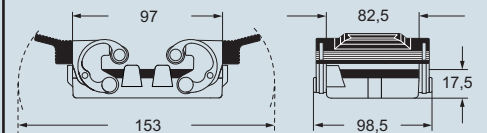
### CHOW and MHOW



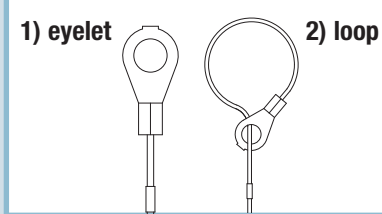
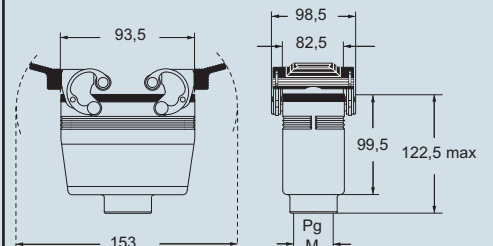
### CHVW and MHVW



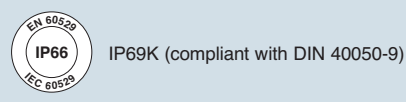
### CHCW G



### CHVW G and MHVW G



**CALUS** Type 4/4X/12



dimensions shown are not binding and may be changed without notice

W-TYPE - size 77.62