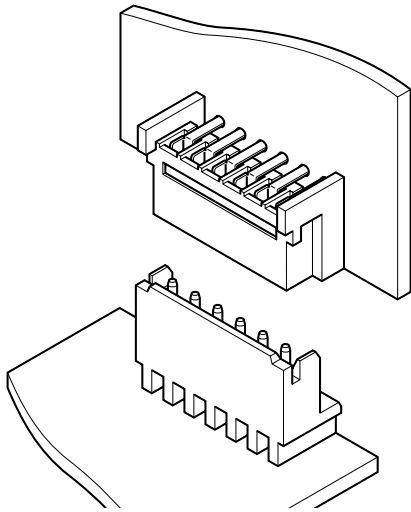


# MQ CONNECTOR

## 2.0mm pitch/Board-to-board connectors



**Measuring 2.0mm in pitch, 9.2mm in mounting height and 5.5mm in thickness, this board-to-board connector makes high-density mounting of components in electronic products possible. It is ideal for small electronic products, such as portable VCRs and video cameras, which require high-density mounting and high reliability.**

- Back-up support spring construction
- Easy insertion
- Board retention feature

### Specifications

- Current rating: 1.0A AC, DC
- Voltage rating: 250V AC, DC
- Temperature range: -25°C to +85°C  
(including temperature rise in applying electrical current)
- Contact resistance: Initial value/ 10m Ω max.  
After environmental testing/ 20m Ω max.
- Insulation resistance: 1,000M Ω min.
- Withstanding voltage: 800V AC/minute
- Applicable PC board thickness: 1.2 to 1.6mm

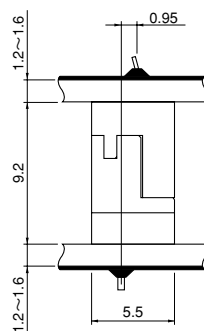
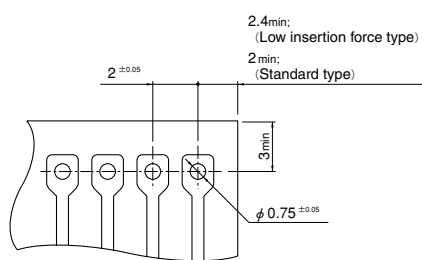
- \* Compliant with RoHS.
- \* Refer to "General Instruction and Notice when using Terminals and Connectors" at the end of this catalog.
- \* Contact JST for details.

### Standards

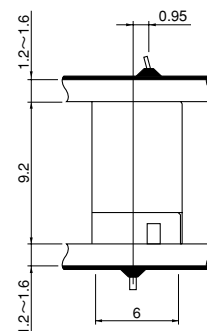
Recognized E60389

Certified LR20812

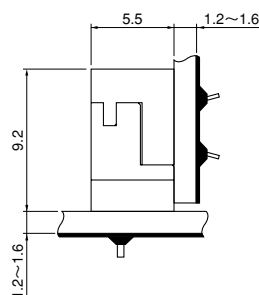
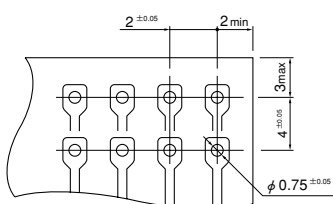
#### Top entry type



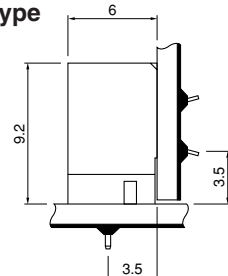
#### Low insertion force type Top entry type



#### Side entry type



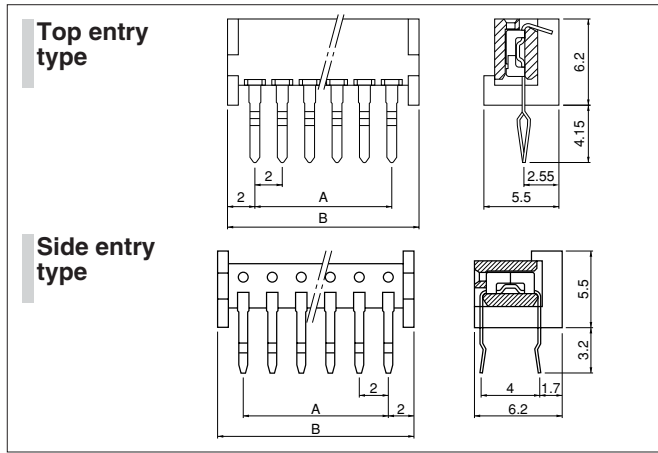
#### Low insertion force type Side entry type



- Note: 1. The above figure is the figure viewed from soldering side.  
 2. The PC board layout of the header is identical to that of the top entry receptacle.  
 3. Tolerances are non-cumulative: ±0.05mm for all centers.  
 4. Hole dimensions differ according to the kind of PC board and piercing method. The dimensions above should serve as a guideline. Contact JST for details.

# MQ CONNECTOR

## Receptacle



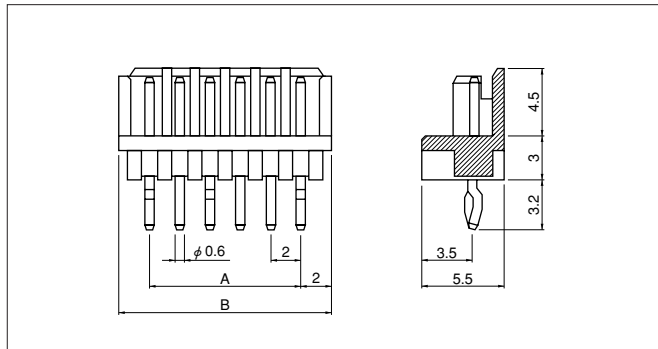
Circuits	Model No.		Dimensions (mm)		Qty / box	
	Top entry type	Side entry type	A	B	Top entry type	Side entry type
5	<b>05MQ-BT</b>	<b>05MQ-ST</b>	8.0	12.0	500	500
6	<b>06MQ-BT</b>	<b>06MQ-ST</b>	10.0	14.0	500	500
7	<b>07MQ-BT</b>	<b>07MQ-ST</b>	12.0	16.0	500	500
8	<b>08MQ-BT</b>	<b>08MQ-ST</b>	14.0	18.0	500	250
9	<b>09MQ-BT</b>	<b>09MQ-ST</b>	16.0	20.0	500	250
10	<b>10MQ-BT</b>	<b>10MQ-ST</b>	18.0	22.0	250	250
12	<b>12MQ-BT</b>	<b>12MQ-ST</b>	22.0	26.0	250	250

### Material and Finish

Contact: Phosphor bronze, tin-plated (reflow treatment)  
Housing: PA 66, UL94V-0, natural

**RoHS compliance**

## Shrouded header



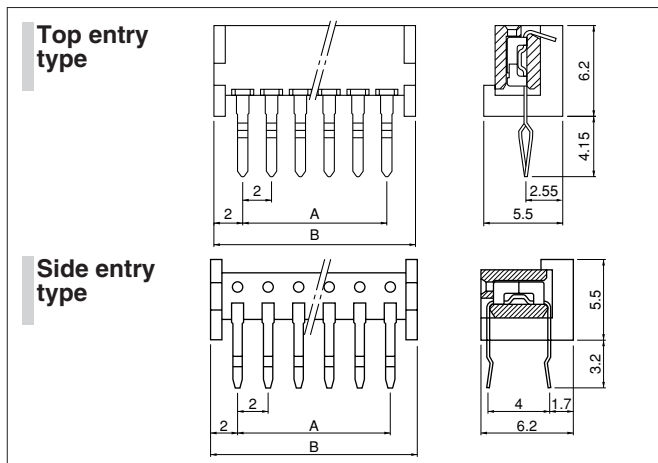
Circuits	Model No.	Dimensions (mm)		Qty / box
		A	B	
5	<b>B5P-MQ</b>	8.0	12.0	500
6	<b>B6P-MQ</b>	10.0	14.0	500
7	<b>B7P-MQ</b>	12.0	16.0	500
8	<b>B8P-MQ</b>	14.0	18.0	500
9	<b>B9P-MQ</b>	16.0	20.0	500
10	<b>B10P-MQ</b>	18.0	22.0	250
12	<b>B12P-MQ</b>	22.0	26.0	200

### Material and Finish

Pin: Brass, copper-undercoated, tin-plated (reflow treatment)  
Wafer: PA 66, UL94V-0, natural

**RoHS compliance** This product displays (LF)(SN) on a label.

## Low insertion force type Receptacle



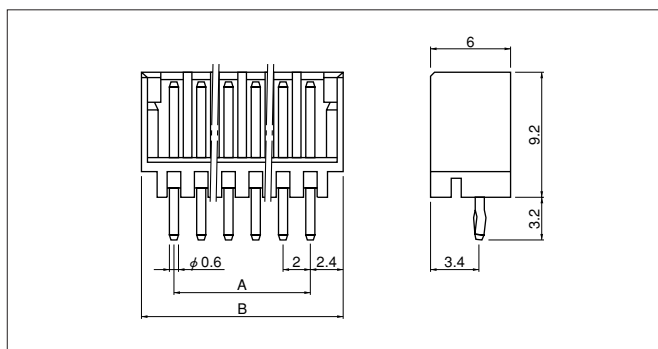
Circuits	Model No.		Dimensions (mm)		Qty / box	
	Top entry type	Side entry type	A	B	Top entry type	Side entry type
4	<b>04MQ-BT-L</b>	<b>04MQ-ST-L</b>	6.0	10.0	500	500
5	<b>05MQ-BT-L</b>	<b>05MQ-ST-L</b>	8.0	12.0	500	500
6	<b>06MQ-BT-L</b>	<b>06MQ-ST-L</b>	10.0	14.0	500	500
7	<b>07MQ-BT-L</b>	<b>07MQ-ST-L</b>	12.0	16.0	500	500
8	<b>08MQ-BT-L</b>	<b>08MQ-ST-L</b>	14.0	18.0	500	250
9	<b>09MQ-BT-L</b>	<b>09MQ-ST-L</b>	16.0	20.0	500	250
10	<b>10MQ-BT-L</b>	<b>10MQ-ST-L</b>	18.0	22.0	250	250
12	<b>12MQ-BT-L</b>	<b>12MQ-ST-L</b>	22.0	26.0	250	250

### Material and Finish

Contact: Phosphor bronze, tin-plated (reflow treatment)  
Housing: PA 66, UL94V-0

**RoHS compliance**

## Low insertion force type Shrouded header



Circuits	Model No.	Dimensions (mm)		Qty / box
		A	B	
4	<b>B4P-MQ-C</b>	6.0	10.8	500
5	<b>B5P-MQ-C</b>	8.0	12.8	500
6	<b>B6P-MQ-C</b>	10.0	14.8	500
7	<b>B7P-MQ-C</b>	12.0	16.8	250
8	<b>B8P-MQ-C</b>	14.0	18.8	250
9	<b>B9P-MQ-C</b>	16.0	20.8	250
10	<b>B10P-MQ-C</b>	18.0	22.8	250
12	<b>B12P-MQ-C</b>	22.0	26.8	200

### Material and Finish

Pin: Brass, copper-undercoated, tin-plated (reflow treatment)  
Wafer: PA 66, UL94V-0

**RoHS compliance** This product displays (LF)(SN) on a label.