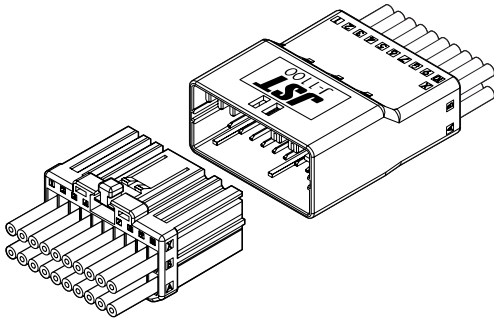
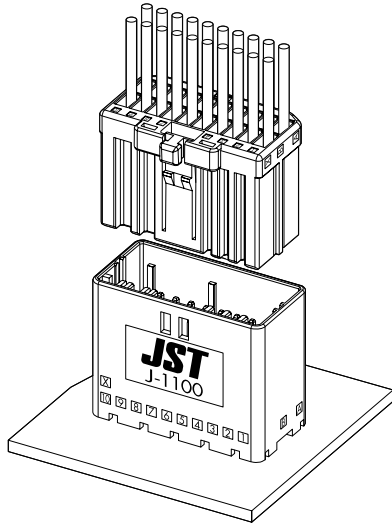




# JFA CONNECTOR J1000 SERIES

2.2mm pitch/Disconnectable Crimp style connectors(Wire-to-board/Wire-to-wire)



*It is a high reliability connector corresponding to demand of the miniaturization of electronic equipment and the wire size of AWG#18.*

- Double-spring construction
- Housing lance
- Clear "click feeling"

## Specifications

- Current rating: Refer to the following matrix table.
- Voltage rating: 125V AC, DC
- Temperature range: -55°C to +105°C  
(including temperature rise in applying electrical current)
- Applicable wire: AWG #28 to #18 (0.08 to 0.82mm<sup>2</sup>)  
(Tin-plated annealed copper wire [stranded wire])  
(Insulation O.D./0.85 to 2.1mm)
- Applicable PC board thickness: 1.6mm

\*Contact JST for details.

\*Compliant with RoHS.

### Current rating

Unit: A

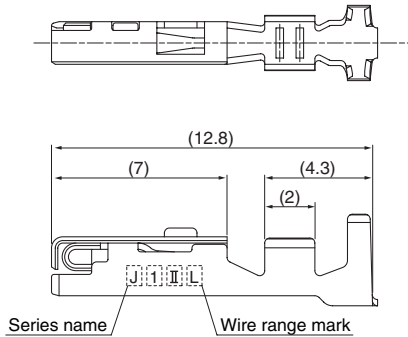
Circuits	Wire size (AWG)					
	#18	#20	#22	#24	#26	#28
1 (Note)	6.8	5.9	5.0	4.2	3.2	2.5
3	6.2	5.2	4.6	3.6	3.1	2.5
6	5.5	4.6	4.0	3.0	2.5	2.1
8	5.5	4.6	4.0	3.0	2.4	2.0
12	4.7	3.9	3.4	2.6	2.1	1.7
20	3.9	3.3	2.9	2.2	1.8	1.6

Note: Current rating value when applying only to 1-circuit of 3-circuit connector.

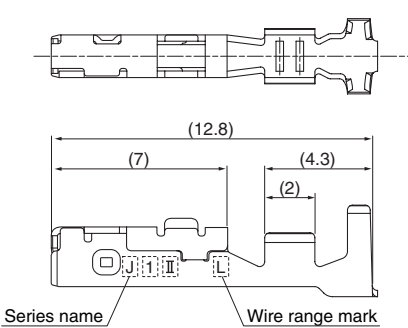
# JFA CONNECTOR/J1000 SERIES

## Receptacle contact

### Tin-plated



### Gold-plated



Strip contact Model No.	Applicable wire			Insulation O.D. (mm)	Q'ty / reel
	Nominal	mm <sup>2</sup>	AWG#		
<b>SF1F-002 (*) -P0.6</b>	M	0.08~0.22	28~24	0.85~1.43	—
<b>SF1F-21 (*) -P0.6</b>	L	0.30~0.82	22~18	1.60~2.10	5,000

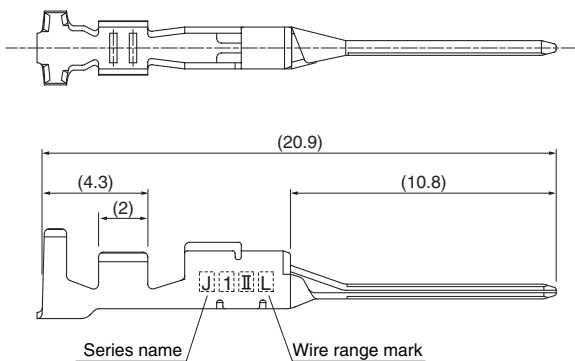
### Material and Finish

Copper alloy, tin-plated, gold-plated

### RoHS compliance

Note: Finish(\*) : T ..... Tin-plated  
GC ... Gold-plated

## Tab contact



Strip contact Model No.	Applicable wire			Insulation O.D. (mm)	Q'ty / reel
	Nominal	mm <sup>2</sup>	AWG#		
<b>SF1M-002 (*) -M0.6A</b>	M	0.08~0.22	28~24	0.85~1.43	—
<b>SF1M-21 (*) -M0.6A</b>	L	0.30~0.82	22~18	1.60~2.10	5,000

### Material and Finish

Copper alloy, tin-plated, gold-plated

### RoHS compliance

Note: Finish(\*) : T ..... Tin-plated  
GC ... Gold-plated

## Crimping machine, Applicator

Strip contact Model No.	Crimping machine	Crimp applicator	Dies	Crimp applicator with dies	Hand crimp tools
<b>SF1F-002 (*) -P0.6</b>		MKS-L	MK/SF1F/M-002-06	APLMK SF1F/M002-06	Refer to page 15, 16.
<b>SF1M-002 (*) -M0.6A</b>	AP-K2N	—	—	—	
<b>SF1F-21 (*) -P0.6</b>		MKS-L	MK/SF1F/M-21-06	APLMK SF1F/M21-06	Refer to page 15, 16.
<b>SF1M-21 (*) -M0.6A</b>	AP-K2N	—	—	—	

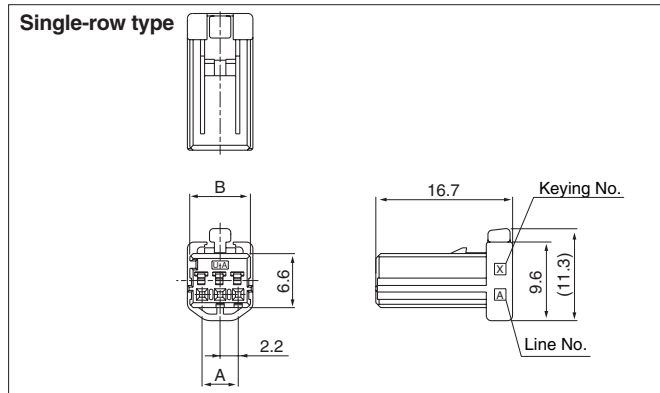
- Extraction tool for J1000 series: EJ-JFAJ1100
- Hand crimp tool uses the YRK series and refer to page 15, 16 of YRK series hand crimping tools for details.

Note 1. Contact JST for fully automatic crimping applicator.

2. Finish(\*) : T ..... Tin-plated  
GC ... Gold-plated

# J1000 SERIES/J1100

## Receptacle housing



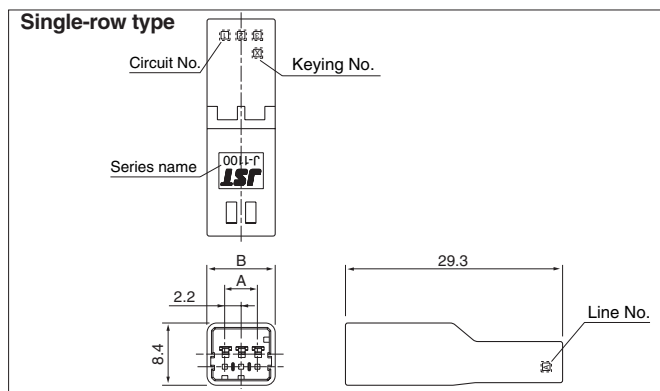
Circuits	Keying	Model No.	Dimensions (mm)		Q'ty / box
			A	B	
3	X	<b>J11SF-03V-KX</b>	4.4	7.4	1,200
	Y	<b>J11SF-03V-KY</b>	4.4	7.4	1,200

### Material

Glass-filled PBT, UL94V-0, black

### RoHS compliance

## Tab housing



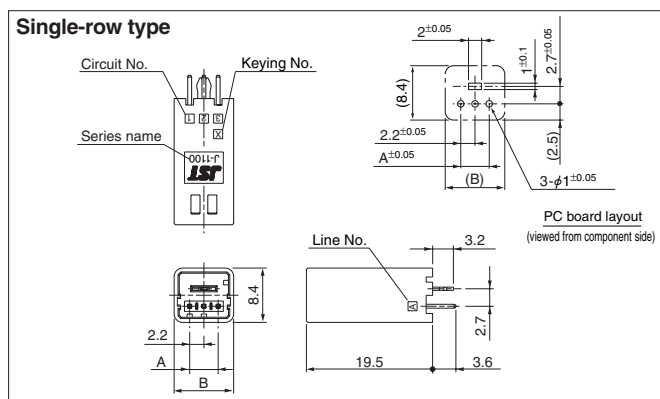
Circuits	Keying	Model No.	Dimensions (mm)		Q'ty / box
			A	B	
3	X	<b>J11SFM-03V-KX</b>	4.4	9.2	500
	Y	<b>J11SFM-03V-KY</b>	4.4	9.2	500

### Material

Glass-filled PBT, UL94V-0, black

### RoHS compliance

## Header Top entry type (Center locking type)



Circuits	Keying	Model No.	Dimensions (mm)		Q'ty / box
			A	B	
3	X	<b>B03B-J11SK-(*)XR</b>	4.4	9.2	625
	Y	<b>B03B-J11SK-(*)YR</b>	4.4	9.2	625

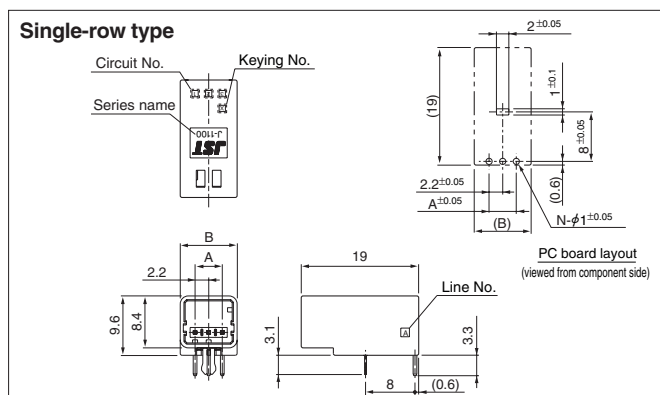
### Material and Finish

Post: Copper alloy, tin-plated, gold-plated  
Housing: Glass-filled PBT, UL94V-0, black  
Reinforcing metal fixture: Copper alloy, tin-plated

### RoHS compliance

Gold-plated product displays (LF) on a label.  
Note: Finish(\*):T .....Tin-plated  
GW ...Gold-plated

## Header Side entry type (Center locking type)



Circuits	Keying	Model No.	Dimensions (mm)		Q'ty / box
			A	B	
3	X	<b>S03B-J11SK-(*)XR</b>	4.4	9.2	600
	Y	<b>S03B-J11SK-(*)YR</b>	4.4	9.2	600

### Material and Finish

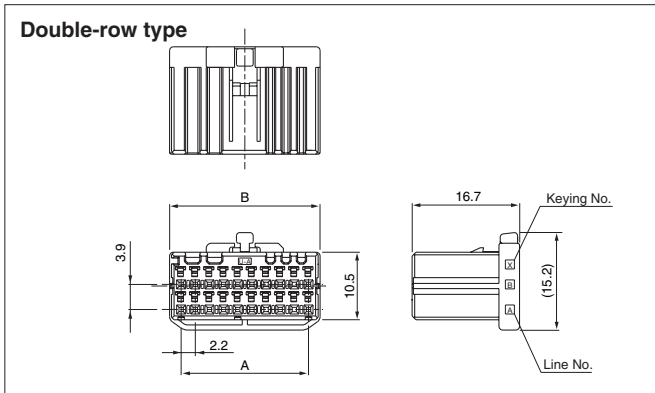
Post: Copper alloy, tin-plated, gold-plated  
Housing: Glass-filled PBT, UL94V-0, black  
Reinforcing metal fixture: Copper alloy, tin-plated

### RoHS compliance

Gold-plated product displays (LF) on a label.  
Note: Finish(\*):T .....Tin-plated  
GW ...Gold-plated

# J1000 SERIES/J1100

## Receptacle housing



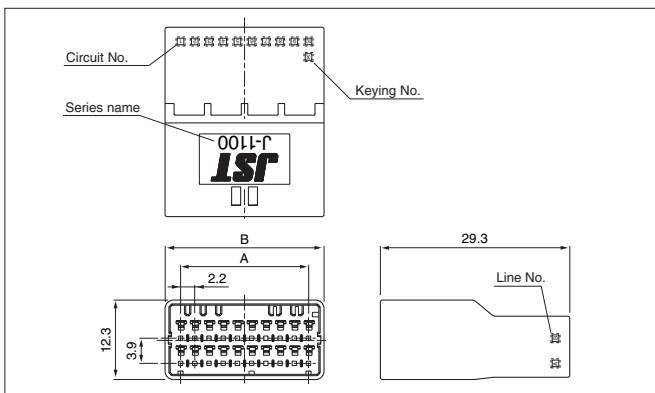
Circuits	Keying	Model No.	Dimensions (mm)		Q'ty / box
			A	B	
6	X	<b>J11DF-06V-KX</b>	4.4	8.0	800
	Y	<b>J11DF-06V-KY</b>	4.4	8.0	800
8	X	<b>J11DF-08V-KX</b>	6.6	10.2	500
	Y	<b>J11DF-08V-KY</b>	6.6	10.2	500
12	X	<b>J11DF-12V-KX</b>	11.0	14.6	400
	Y	<b>J11DF-12V-KY</b>	11.0	14.6	400
20	X	<b>J11DF-20V-KX</b>	19.8	23.4	250
	Y	<b>J11DF-20V-KY</b>	19.8	23.4	250
22	X	<b>J11DF-22V-KX</b>	22.0	25.6	—
	Y	<b>J11DF-22V-KY</b>	22.0	25.6	—
26	X	<b>J11DF-26V-KX</b>	26.4	30.0	—
	Y	<b>J11DF-26V-KY</b>	26.4	30.0	—
30	X	<b>J11DF-30V-KX</b>	30.8	34.4	—
	Y	<b>J11DF-30V-KY</b>	30.8	34.4	—

**Material**

Glass-filled PBT, UL94V-0, black

**RoHS compliance**

## Tab housing



Circuits	Keying	Model No.	Dimensions (mm)		Q'ty / box
			A	B	
6	X	<b>J11DFM-06V-KX</b>	4.4	9.2	400
8	X	<b>J11DFM-08V-KX</b>	6.6	11.4	300
12	X	<b>J11DFM-12V-KX</b>	11.0	15.8	200
20	X	<b>J11DFM-20V-KX</b>	19.8	24.6	150

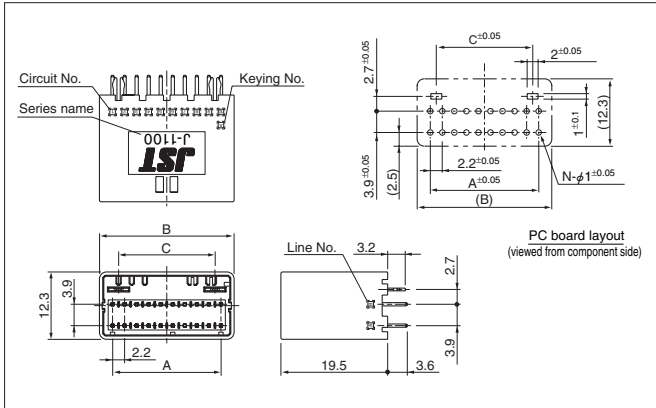
**Material**

Glass-filled PBT, UL94V-0, black

**RoHS compliance**

# J1000 SERIES/J1100

## Header Top entry type (Center locking type)



Circuits	Keying	Model No.	Dimensions (mm)			Q'ty / box
			A	B	C	
6	X	<b>B06B-J11DK-(*)XR</b>	4.4	9.2	—	500
	Y	<b>B06B-J11DK-(*)YR</b>	4.4	9.2	—	500
8	X	<b>B08B-J11DK-(*)XR</b>	6.6	11.4	4.4	400
	Y	<b>B08B-J11DK-(*)YR</b>	6.6	11.4	4.4	400
12	X	<b>B12B-J11DK-(*)XR</b>	11.0	15.8	8.8	280
	Y	<b>B12B-J11DK-(*)YR</b>	11.0	15.8	8.8	280
20	X	<b>B20B-J11DK-(*)XR</b>	19.8	24.6	17.6	180
	Y	<b>B20B-J11DK-(*)YR</b>	19.8	24.6	17.6	180
22	X	<b>B22B-J11DK-(*)XR</b>	22.0	26.8	19.8	—
	Y	<b>B22B-J11DK-(*)YR</b>	22.0	26.8	19.8	—
26	X	<b>B26B-J11DK-(*)XR</b>	26.4	31.2	24.2	—
	Y	<b>B26B-J11DK-(*)YR</b>	26.4	31.2	24.2	—
30	X	<b>B30B-J11DK-(*)XR</b>	30.8	35.6	28.6	—
	Y	<b>B30B-J11DK-(*)YR</b>	30.8	35.6	28.6	—

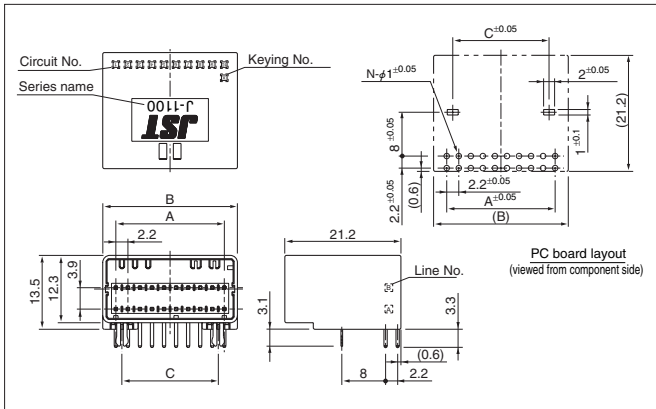
### Material and Finish

Post: Copper alloy, tin-plated, gold-plated  
Housing: Glass-filled PBT, UL94V-0, black  
Reinforcing metal fixture: Copper alloy, tin-plated

**RoHS compliance** Gold-plated product displays (LF) on a label.

Note: Finish(\*) : T ..... Tin-plated  
GW ... Gold-plated

## Header Side entry type (Center locking type)



Circuits	Keying	Model No.	Dimensions (mm)			Q'ty / box
			A	B	C	
6	X	<b>S06B-J11DK-(*)XR</b>	4.4	9.2	—	375
	Y	<b>S06B-J11DK-(*)YR</b>	4.4	9.2	—	375
8	X	<b>S08B-J11DK-(*)XR</b>	6.6	11.4	—	300
	Y	<b>S08B-J11DK-(*)YR</b>	6.6	11.4	—	300
12	X	<b>S12B-J11DK-(*)XR</b>	11.0	15.8	8.8	225
	Y	<b>S12B-J11DK-(*)YR</b>	11.0	15.8	8.8	225
20	X	<b>S20B-J11DK-(*)XR</b>	19.8	24.6	17.6	135
	Y	<b>S20B-J11DK-(*)YR</b>	19.8	24.6	17.6	135

### Material and Finish

Post: Copper alloy, tin-plated, gold-plated  
Housing: Glass-filled PBT, UL94V-0, black  
Reinforcing metal fixture: Copper alloy, tin-plated

**RoHS compliance** Gold-plated product displays (LF) on a label.

Note: Finish(\*) : T ..... Tin-plated  
GW ... Gold-plated

# JFA CONNECTOR/J1000 SERIES

## Model number identification

### Receptacle contact

**S F1 F - 21 T - P 0.6**

Form: S...Strip form

Series name

Kind of terminal: F...Receptacle contact

Applicable wire: 002...AWG#28 ~ AWG#24  
21...AWG#22 ~ AWG#18

Surface finish: T...Tin-plated, GC...Gold-plated

Material: P...Copper alloy

Terminal size

### Tab contact

**S F1 M - 21 T - M 0.6 A**

Form: S...Strip form

Series name

Kind of terminal: M...Tab contact

Applicable wire: 002...AWG#28 ~ AWG#24  
21...AWG#22 ~ AWG#18

Surface finish: T...Tin-plated, GC...Gold-plated

Material: M...Copper alloy

Terminal size

Auxiliary mark

### Receptacle housing

**J11 DF - 06 V - K X**

Series name

Type of connector: SF...Single-row type  
DF...Double-row type

No. of circuits: 3, 6, 8, 12, 20

Flammability: V...UL94V-0

Color indication: K...Black

Keying: X...X-Keying, Y...Y-Keying

### Tab housing

**J11 DFM - 06 V - K X**

Series name

Type of connector: SFM...Single-row type  
DFM...Double-row type

No. of circuits: 3, 6, 8, 12, 20

Flammability: V...UL94V-0

Color indication: K...Black

Keying: X...X-Keying

### Header

**B 06 B - J11 D K - T X R**

PC board mounting direction:  
B...Top entry type, S...Side entry type

No. of circuits: 3, 6, 8, 12, 20

Product name: Header

Series name

Rows: S...Single-row, D...Double-row

Color indication: K...Black

Surface finish: T...Tin-plated, GW...Gold-plated

Keying: X...X-Keying, Y...Y-Keying

Packaging form: R...Tray, M...Magazine stick