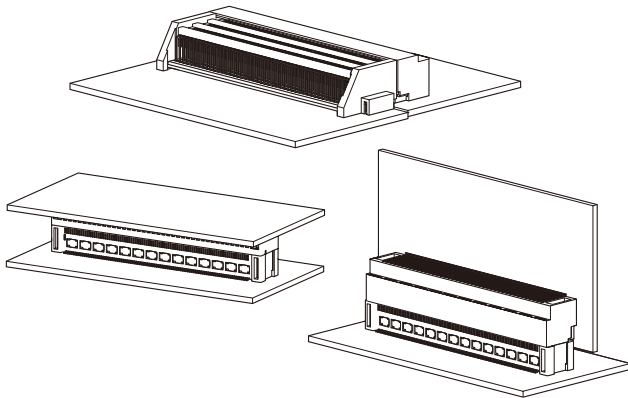


JU CONNECTOR

0.6mm pitch/Board-to-board connectors



JU connector is developed upon recent market requirement, which demands higher density for digitized electronic equipment. Various mating combination can be chosen at your purpose vertically/horizontally, both plug and receptacle are available top and side entry. Box type wafer prevents from scattered flux equipped with polarized shape which guides correct mating. Longer mating stroke stabilize and secure mating and contact performance.

- Higher density contributes
- Various combination
- Lower insertion force

Specifications

- Current rating: 0.5A AC, DC
- Voltage rating: 50V AC, DC
- Temperature range: -25°C to +85°C
(including temperature rise in applying electrical current)
- Contact resistance: Initial value/80m Ω max.
After environmental testing/100m Ω max.
- Insulation resistance: 50M Ω min.
- Withstanding voltage: 100V AC/minute
- Applicable PC board thickness: 1.6mm
- * Compliant with RoHS.
- * Refer to "General Instruction and Notice when using Terminals and Connectors" at the end of this catalog.
- * Contact JST for details.

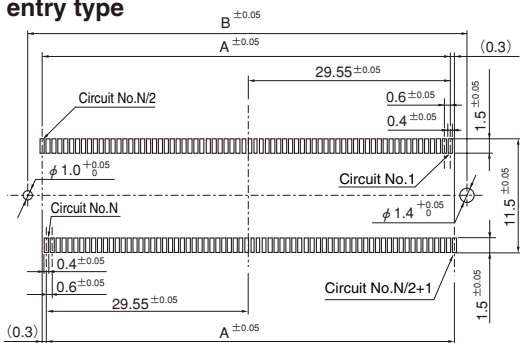
Standards

Recognized E60389

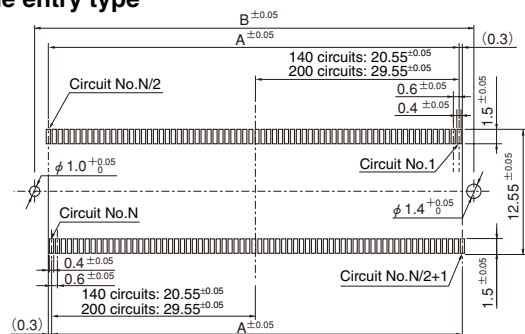
Certified LR20812

PC board layout (viewed from component side)

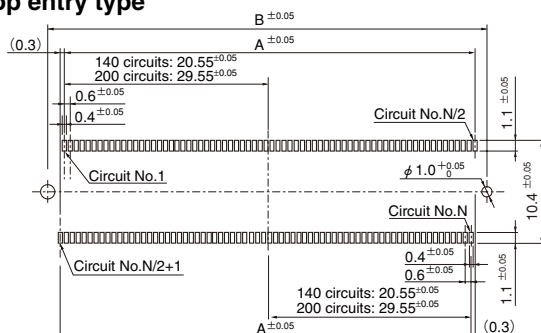
Plug Top entry type



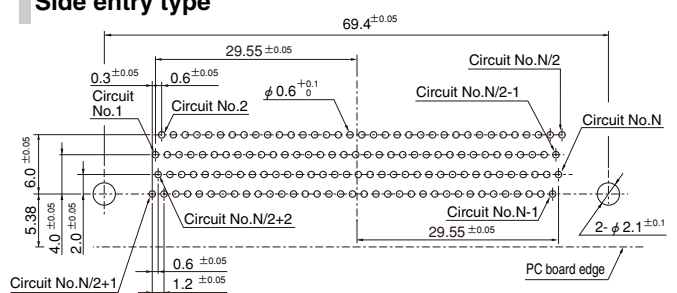
Plug Side entry type



Receptacle Top entry type



Receptacle Side entry type

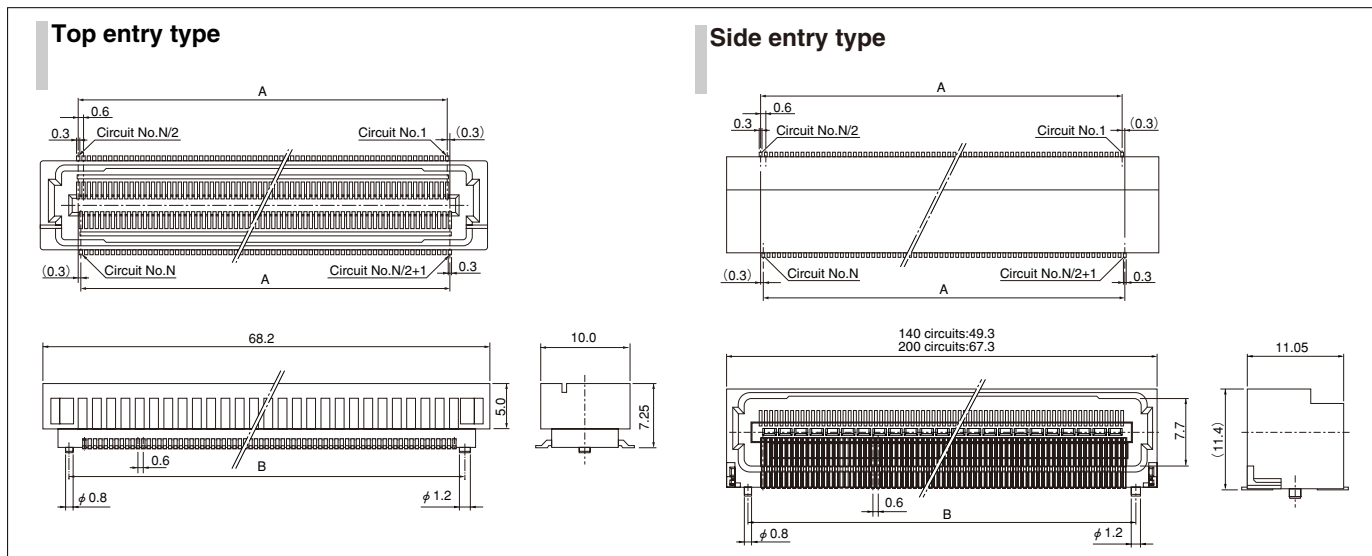


Note: 1. Tolerances are non-cumulative: ±0.05mm for all centers.

2. Hole dimensions differ according to the kind of PC board and piercing method. The dimensions above should serve as a guideline. Contact JST for details.

JU CONNECTOR

Plug



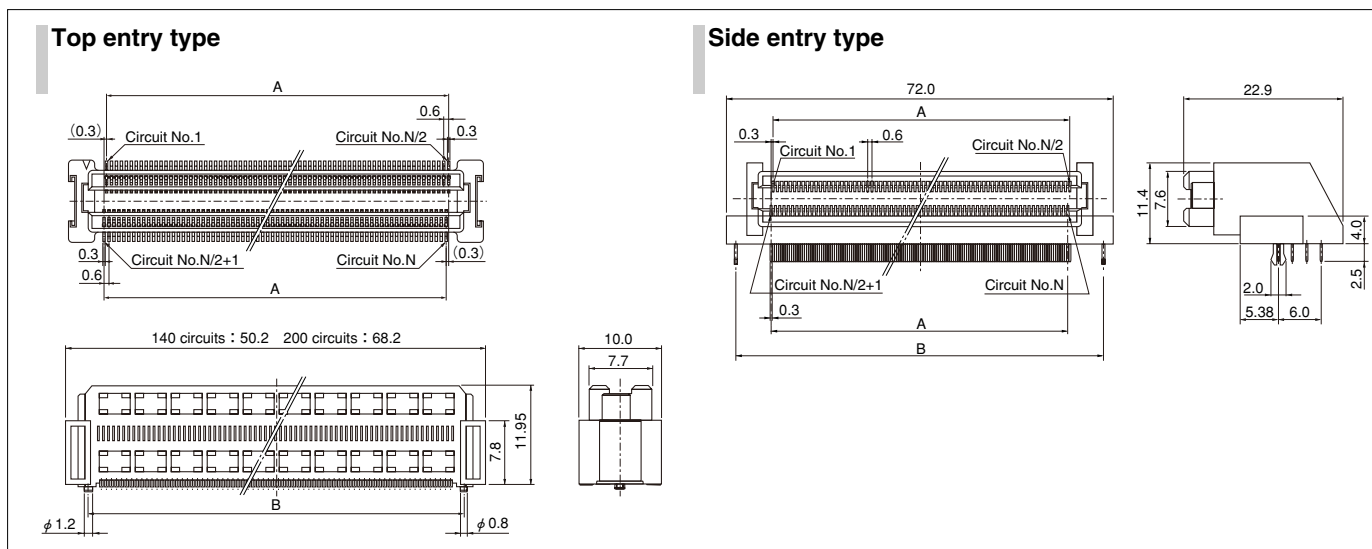
Circuits	Model No.		Dimensions(mm)		Q'ty / box	
	Top entry type	Side entry type	A	B	Top entry type	Side entry type
140	—	140PS-JUK-G-B(A)	41.4	44.5	—	60
200	200P-JUK-G-B	200PS-JUK-G-B(A)	59.4	62.5	75	60

Material and Finish

Contact: Copper alloy, nickel-undercoated, gold-plated
Housing: LCP, UL94V-0

RoHS compliance

Receptacle



Top entry type

Circuits	Model No.	Dimensions(mm)		Q'ty / box
		A	B	
140	140R-JUK-G-B	41.4	44.5	45
200	200R-JUK-G-B	59.4	62.5	45

Material and Finish

Contact: Copper alloy, nickel-undercoated, gold-plated
Housing: LCP, UL94V-0

RoHS compliance

Side entry type

Circuits	Model No.	Dimensions(mm)		Q'ty / box
		A	B	
200	200RS-JUK-GB	59.4	69.4	128

Material and Finish

Contact: Copper alloy, nickel-undercoated, Mating part; gold-plated
Solder tail; tin/copper alloy-plated
Housing: LCP, UL94V-0
Locator: Synthetic resin
Solder tab: Copper-alloy, tin-plated (reflow treatment)

RoHS compliance