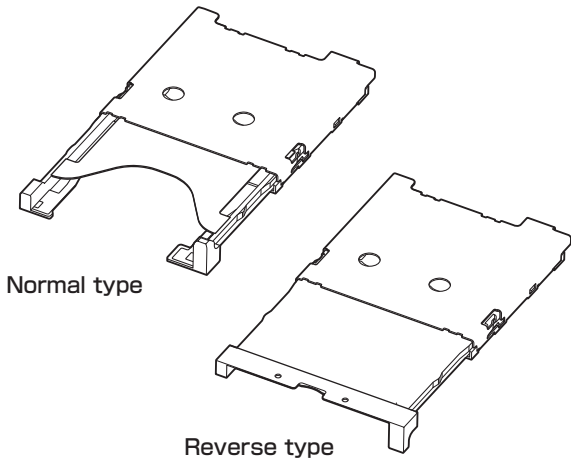


SCYT CONNECTOR

For Micro SIM card



Normal type

Reverse type

A tray type connector for the Micro SIM (Mini-UICC) card which downsized the conventional SIM card.

1.38mm height, Low profile

- Guide tray structure providing the good card insertion operability is adopted.
- Common use for normal and reverse type trays
- Adoption of two points contact structure

Specifications

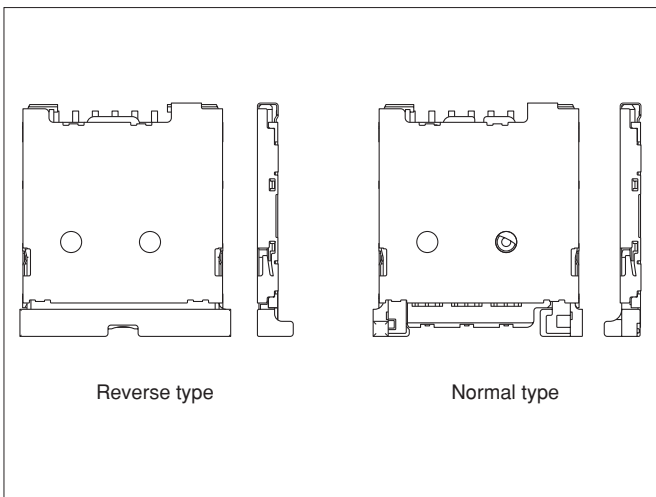
- Current rating: 0.7 A AC, DC
- Voltage rating: 30 V AC, DC
- Temperature range: -25°C to +85°C
(including temperature rise in applying electrical current)
- Contact resistance: Initial value/ 80 mΩ max.
After environmental testing/ 80 mΩ max.
(variation from initial value)
- Insulation resistance: 500 MΩ min.
- Withstanding voltage: 500 VAC/minute
- Applicable card: Mini-UICC card

* Refer to "General Instruction and Notice when using Terminals and Connectors" at the end of this catalog.

* Contact JST for details.

* Compliant with RoHS.

Connector



Reverse type

Normal type

Type	Model No.	Q'ty
Normal	SCYT-6S-1K-03-ETB(HF)	2,500
Reverse		
Normal	SCYT-NT-1K-SH2-R(HF)	425
Reverse		

Material and Finish

Contact: Copper alloy, nickel-undercoated, gold-plated
Housing: Heat resisting resin, black
Shell: Stainless, nickel-undercoated, gold-plated
Tray: Plastic part/ Heat resisting resin, black
Metal part/ Stainless

RoHS compliance This product displays (HF) on a label.
This products listed above are supplied on embossed-tape.

PC board layout

