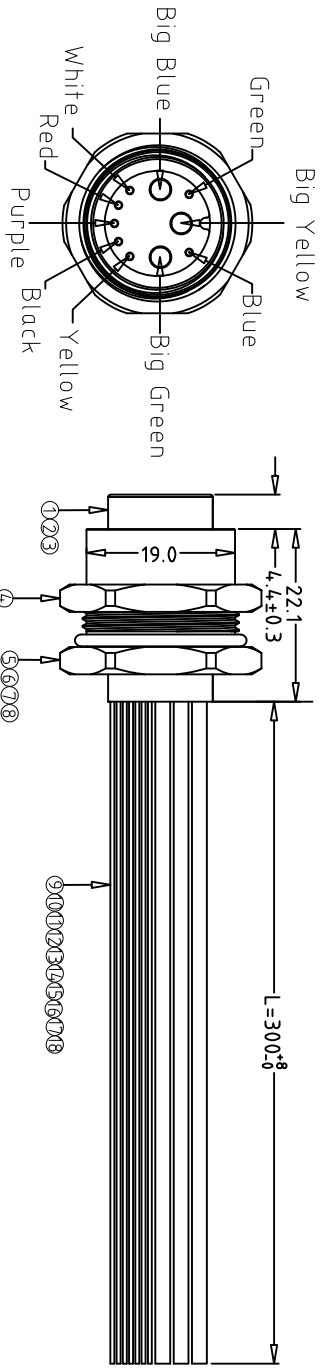


REV: X1



ECN. NO.	REV.	DATE	DESCRIPTION	CHANGE	APPD.
	X1	08/07/2018	preliminary	/	

18	Big yellow single core wire, $\phi 4.0, 1 \times 4.0$, Tinned copper, PVC insulation	1PCS							
17	Big green single core wire, $\phi 4.0, 1 \times 4.0$, Tinned copper, PVC insulation	1PCS							
16	Big blue single core wire, $\phi 4.0, 1 \times 4.0$, Tinned copper, PVC insulation	1PCS							
15	Yellow single core wire, $\phi 1.2, 1 \times 0.2$, Tinned copper, PVC insulation	1PCS							
14	Black single core wire, $\phi 1.2, 1 \times 0.2$, Tinned copper, PVC insulation	1PCS							
13	Purple single core wire, $\phi 1.2, 1 \times 0.2$, Tinned copper, PVC insulation	1PCS							
12	Red single core wire, $\phi 1.2, 1 \times 0.2$, Tinned copper, PVC insulation	1PCS							
11	White single core wire, $\phi 1.2, 1 \times 0.2$, Tinned copper, PVC insulation	1PCS							
10	Blue single core wire, $\phi 1.2, 1 \times 0.2$, Tinned copper, PVC insulation	1PCS							
9	Green single core wire, $\phi 1.2, 1 \times 0.2$, Tinned copper, PVC insulation	1PCS							
8	0 ring, $\phi 12 \times 1.0$ mm,	1PCS							
7	0 ring, $\phi 12 \times 2.0$ mm,	1PCS							
6	0 ring, $\phi 16 \times 1.5$ mm,	1PCS							
5	L1019 main body of Female	1PCS							
4	Female housing, INSULATOR, PBT + 30%GF (120V) UL94V-0, BLACK COLOR	1PCS							
3	Nut, M20x1.0, BRASS (GB HPB-59-1), FULL NICKEL PLATED 200u"MIN	1PCS							
2	Socket, $\phi 0.80$, BRASS (GB QSn6.5-0.1), 4u"MIN GOLD PLATING OVER ALL, 50~100u" NICKEL UNDER PLATING OVER ALL	7PCS							
1	Socket, $\phi 2.50$, BRASS (GB QSn6.5-0.1), 4u"MIN GOLD PLATING OVER ALL, 50~100u" NICKEL UNDER PLATING OVER ALL	3PCS							
Item		QTY							

1. Electric Characteristics:
 - 1.1: Low level contact resistance: 10 milliohm Max.
 - 1.2: Dielectric withstanding voltage: 500VAC.
 - 1.3: Insulation resistance: 20 megaohm Min.
2. Mechanical Characteristics:
 - 2.1: Mating cycle: 200 cycle.
3. Performance:
 - 3.1: Voltage rating: 48V AC, 60V DC.
 - 3.2: Current rating: 4.5Amps ($\phi 2.5$ pin and socket), 2Amps ($\phi 0.8$ pin and socket).
 - 3.3: Operation temperature: $-25^{\circ}\text{C} \sim +80^{\circ}\text{C}$.
4. Requirement:
 - 4.1: Environmental protection, accord ROHS 2.0.
5. Applicable wire:
 - 5.1: $\phi 2.5$ Contact: 4.0mm^2 MAX.
 - 5.2: $\phi 0.8$ Contact: 0.2mm^2 MAX.
6. Degree of protection: IP67 in mated condition.

Higo 上海海固电器设备有限公司
Shang hai Higo Electronic Technology Co., Ltd.

MAT'L:	N/A	TITLE:	L1019 Female	PART NO.:	L1019AM R 03 DQ 0300
UNITS:	mm	APPD.:		DWG NO.:	E-F10FTA003-00
X±: 8	X±: 5°	CHE.:		SCALE	1/1
X±: 0.5	X±: 2°	DRAW:	Wuyishuai 08/07/2018	SHEET	REV.
XX±: 0.10	XX±: 1°				