

15 years of  
**passion for connectors**



# OUR MISSION

Relieving manufacturers by advising, customising and stocking the right Higo e-bike connector solution.



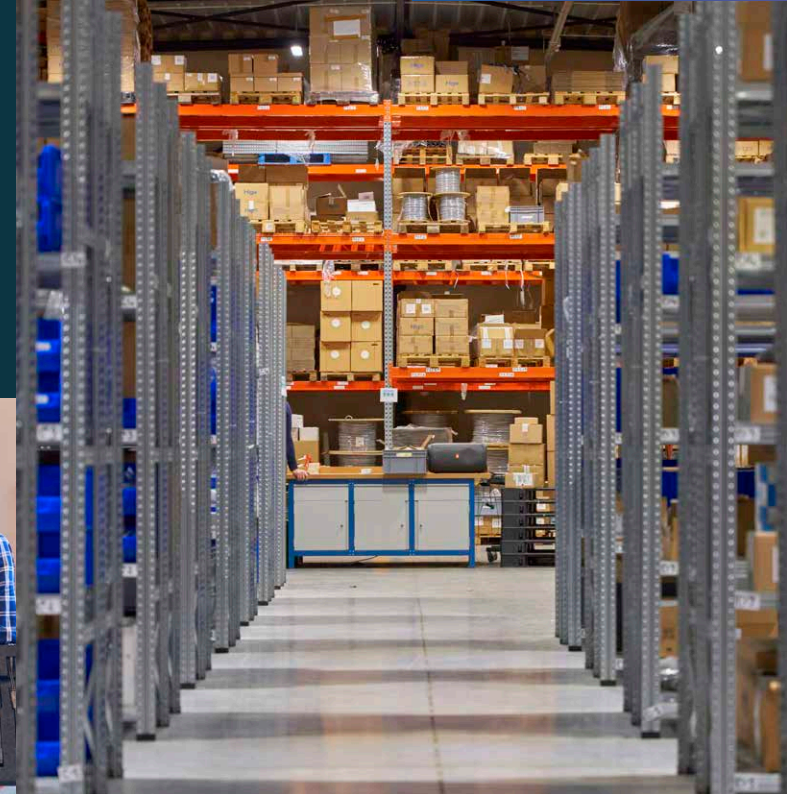
## TAKING OWNERSHIP.

Taking responsibility for finding a solution, even if this means putting in extra effort



## BEING AN EXPERT.

Passion for technology



## INTEGRITY

With respect & trust for everyone around us



# OUR BACKGROUND

## SET-UP OF LTD

Maarten Voermans steps in. Together they set up an Ltd company.

## E-BIKE INDUSTRY

A&C Solutions becomes exclusive distributor of **Higo** connectors in Europe.

## NEW PREMISES

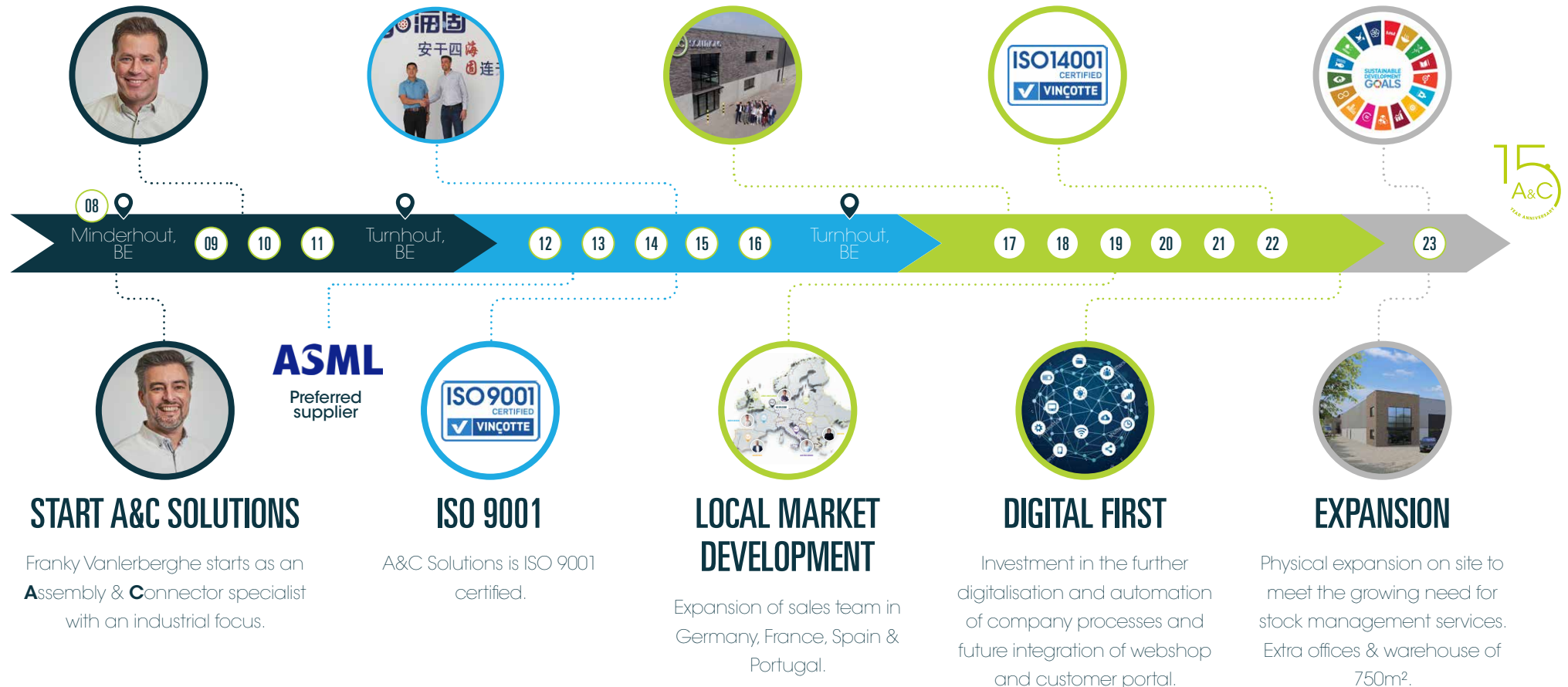
Strong growth requires a move to an office & warehouse building of 1000m<sup>2</sup>.

## SUSTAINABLE BUSINESS

Start of sustainability plans with the certification of ISO 14001 and the membership of digital supply chain platform Sustainabill.

## SDG GOALS

Developing an action plan based on the 17 SDG goals of the United Nations.



## START A&C SOLUTIONS

Franky Vanlerberghe starts as an **A**ssembly & **C**onconnector specialist with an industrial focus.

## ISO 9001

A&C Solutions is ISO 9001 certified.

## LOCAL MARKET DEVELOPMENT

Expansion of sales team in Germany, France, Spain & Portugal.

## DIGITAL FIRST

Investment in the further digitalisation and automation of company processes and future integration of webshop and customer portal.

## EXPANSION

Physical expansion on site to meet the growing need for stock management services. Extra offices & warehouse of 750m<sup>2</sup>.

# OUR VISION

We want to be the European online & offline market leader in E-bike connectors bringing to life every customer's great e-mobility project by a customer centric and sustainable approach with passion for technology and a clear focus on JIT delivery and operational excellence.



**FLEXIBLE.**

Everything revolves around you



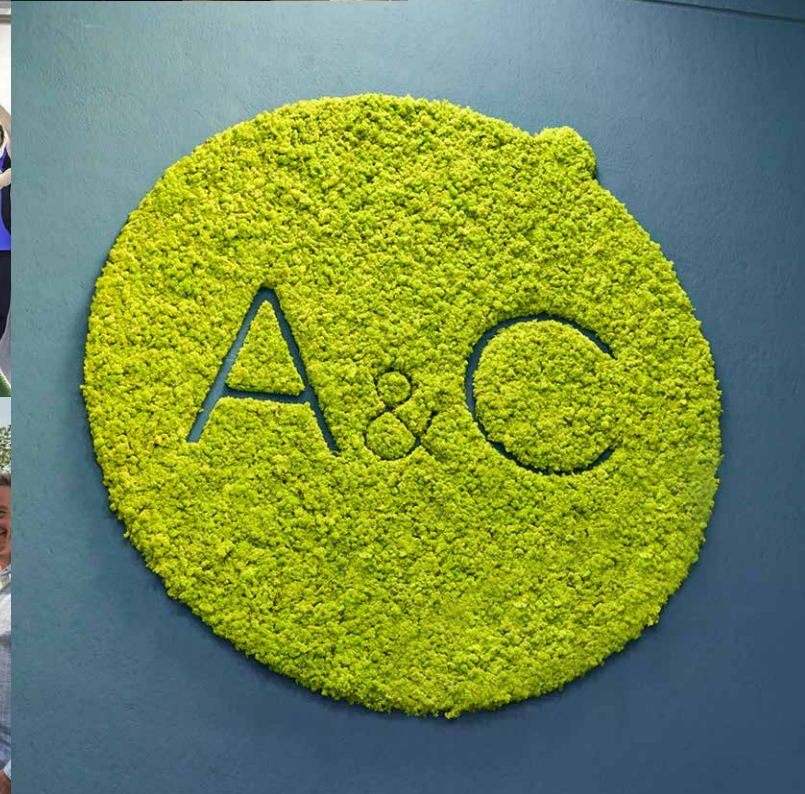
**CONNECTED.**

Together we'll make it



**AMBITIOUS.**

Keen to move forward



# OUR COMMITMENT TO A MORE SUSTAINABLE WORLD



EMS in place to enhance our environmental performance



Team efforts to create a sustainable organisation and site by:

- creating awareness among our team & partners
- introducing energy saving measures
- stimulating waste reduction and reusing materials
- transitioning to sustainable alternatives where possible



CSR plan in place to achieve the UN's SDG goals



Bringing transparency to our supply chain by partnering up with Sustainabil

A great e-bike connector experience starts with a great product



## INNOVATOR

Higo is a pioneer in e-bike connector manufacturing. It has a strong R&D focus with more than 60 patented designs. Higo is continuously investing in emerging technologies to develop ever smaller e-bike connector designs.



## FULL SERVICE MANUFACTURER

From 50.000m<sup>2</sup> of production plants, Higo fully manufactures and assembles e-bike cabling projects in-house. This goes from the production of cables, tooling development, the single-handedly turning of contacts to the assembly of connectors or switches.



## FLEXIBILITY IN CUSTOMISED CONNECTORS

Higo is able to fully customise connectors, cable harnesses and splitters according to the requirements of each e-bike design.



## QUALITY LEADS THE WAY

Our ISO 9001 organisations are based on predefined working procedures, incoming and outgoing checks and ongoing self-assessment. Higo also works with an in-house testing laboratory. Besides that, Higo is CQC certified and has UL/CSA approvals.

# YOUR ALL-IN-ONE E-BIKE CONNECTOR PARTNER

A great product complemented with excellent services



## LOCAL SPECIALISTS

A&C Solutions has a clear focus on e-bike connectors and +30 years of in-house connector experience. We know the market and understand your business. Our team is always nearby to discuss your project and support you with technical advice in your language.



## EUROPEAN STOCK MANAGEMENT

A&C Solutions offers a large range of standard Higo signal, battery and motor connectors directly available from stock. From our 1000m<sup>2</sup> site centrally in Europe we support you with just-in-time stock management services and label options on demand.



## PROJECT MANAGEMENT

As complementary partners, we manage your customised connector, cable harness or splitter project from design to delivery for any type of e-mobility design.



## PROFESSIONAL SUPPORT

Our customers are our highest good. We are always available during your business hours with quick & professional feedback. When things don't turn out the way they were planned, we also ensure a firm and adequate complaint handling.





**OUR HOME BASE**  
LOCATED IN TURNHOUT WITH A 1000M<sup>2</sup> WAREHOUSE





# CLOSE TO YOU WITH PRODUCTS & PEOPLE



**JAN VAN DIJCK**  
Sales Manager



**KRISTOF VAN WETERING**  
Product Manager



**JONI IVENS**  
Inside Sales Specialist



**LIAM HAESEN**  
Inside Sales Specialist



**JANNES CHRISTIAENSEN**



**MATHYS HUVELIN**



**IGNACIO HIGES**



**AGOSTINO GOBBATO**



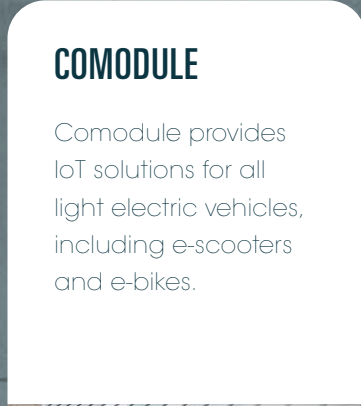
**JONI IVENS**

# SOME OF OUR CUSTOMERS



## RIESE & MÜLLER

Manufacturer of e-bikes, cargo bikes and folding bikes of the highest quality with the most innovative technology.



## COMODULE

Comodule provides IoT solutions for all light electric vehicles, including e-scooters and e-bikes.



## SUPERNOVA

Supernova offers bike lighting systems with the best LED technology.



## PORSCHE EBIKE PERFORMANCE

Porsche is a pioneer in the development of lightweight and compact drive systems.



## STROMER

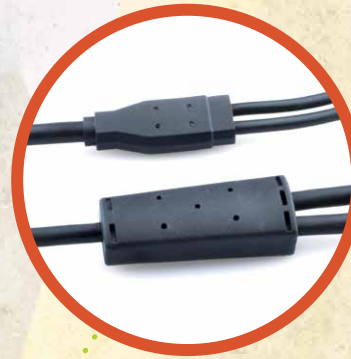
myStromer develops powerful speed pedelecs with integrated design, full connectivity and excellent riding characteristics.



# HIGO CONNECTORS FOR THE COMPLETE E-BIKE SYSTEM



**SIGNAL**  
PAGE 20 - 33



**SPLITTERS**  
PAGE 18 - 19



**BATTERY**  
PAGE 34 - 55



**CABLE HARNESSES**  
PAGE 16 - 17



**CUSTOMISED CONNECTORS**  
PAGE 14 - 15



**MOTOR**  
PAGE 56 - 67

CUSTOMISED  
CONNECTORS

CABLE HARNESSES

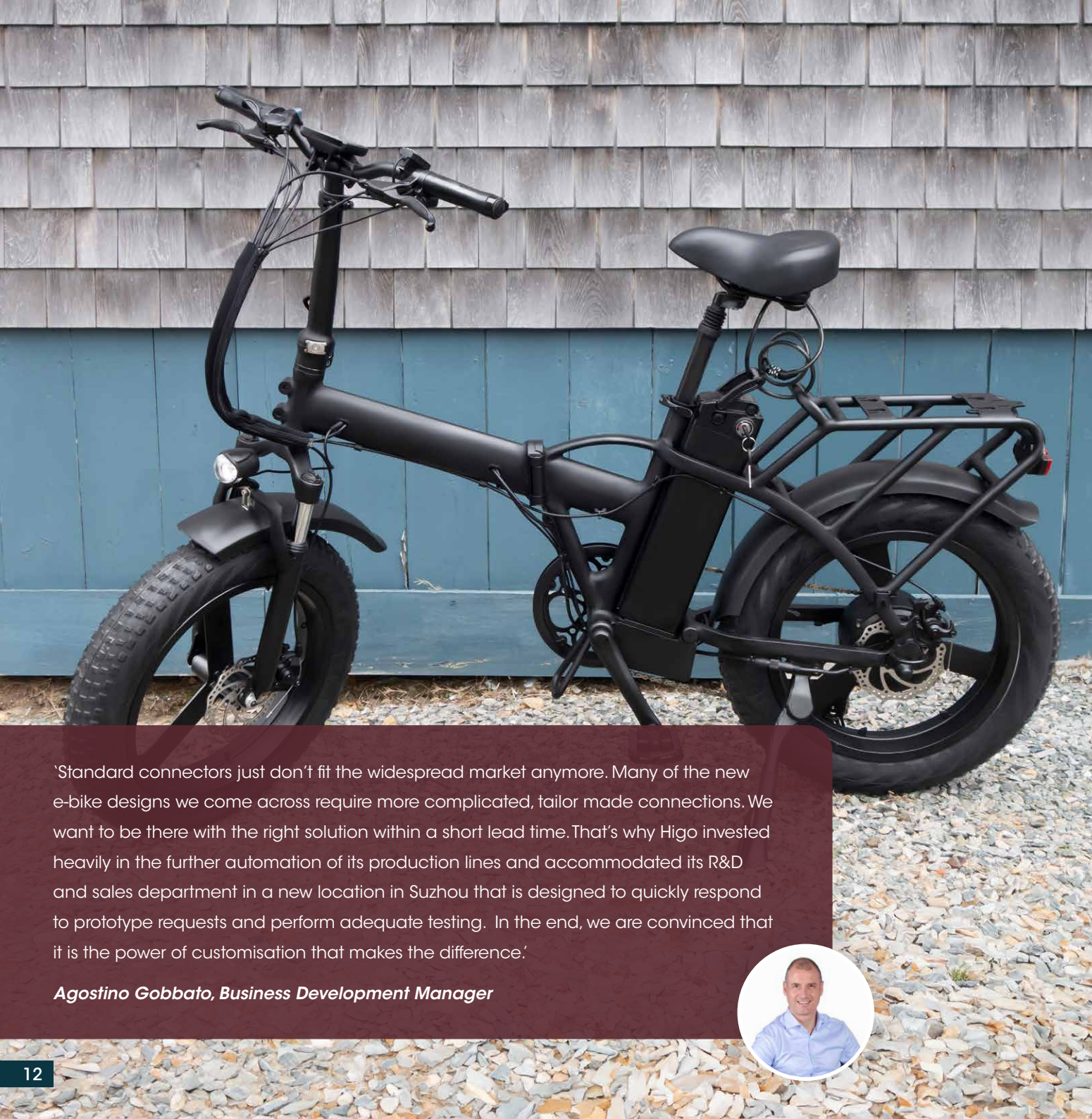
SPLITTERS

SIGNAL

BATTERY

MOTOR





'Standard connectors just don't fit the widespread market anymore. Many of the new e-bike designs we come across require more complicated, tailor made connections. We want to be there with the right solution within a short lead time. That's why Higo invested heavily in the further automation of its production lines and accommodated its R&D and sales department in a new location in Suzhou that is designed to quickly respond to prototype requests and perform adequate testing. In the end, we are convinced that it is the power of customisation that makes the difference.'

**Agostino Gobbato, Business Development Manager**



## CUSTOMISED SOLUTIONS



CUSTOMISED CONNECTORS

14 - 15



CABLE HARNESSES

16 - 17



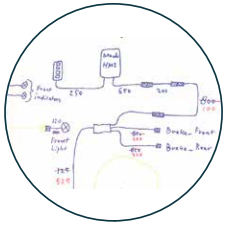
SPLITTERS

18 - 19

# WE MANAGE YOUR PROJECT FROM DESIGN TO DELIVERY

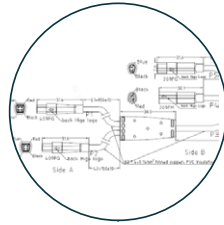
## INITIAL REQUEST

Every project starts with a drawing or with technical specifications of the cable harness or the customised connector you require.



## OUR CONCEPT DRAWING

When all aspects of the project have been validated, our team creates the drawing with all electrical specifications and materials used.



## PRODUCTION & QUALITY CHECK

When samples have been approved, production will start-up and required tests are performed in Higo's in-house laboratory.



## LOCAL SUPPORT

During all stages of the project, our specialists are always nearby to support you with technical advice, often even in your own language.



## ANALYSING YOUR REQUEST

Based on your drawing or technical specifications, our specialists analyse your request, check the feasibility and set-up of your requirements.



## PROTOTYPE SAMPLES & TESTING

Higo will first start manufacturing a prototype and samples for you to test if all requirements of your application are met.



## EUROPEAN STOCK MANAGEMENT

A&C Solutions ensures that the production of your e-mobility design continues to run smoothly with quick & timely deliveries of your final product.



## PROJECT GO LIVE

When a project comes to live, we are just as proud as you are. Watch here an example of such a project:





# CUSTOMISED CONNECTORS



**ANGLED BATTERY CONNECTOR FOR PCB**



**ANGLED MOTOR CONNECTOR FOR PCB**



**CONNECTOR FOR CHARGING STATION**



**MOTOR CONNECTOR**

# CUSTOMISED CONNECTORS



MINI F PANEL MOUNT FOR PCB



PCB ASSEMBLY FOR POWER & SIGNAL



HIGH POWER BATTERY CONNECTOR WITH LOCKING LEVER



ANGLED TERMINALS FOR PCB MOUNTING



CUSTOMISED TERMINAL BLOCK



CUSTOMISED INTERFACE WITH 180° MATING



# CABLE HARNESSES



**OVERMOULDED HEADER**



**OVERMOULDED SWITCHES**



**FULL CABLE HARNESS**



**SPLITTER WITH INTEGRATED BUTTON AND LED LIGHT**



# CABLE HARNESSSES



LARGE SPLITTER FOR POWER DISTRIBUTION



GROMMET WITH CLIP



SMALL SPLITTER FOR SIGNAL DISTRIBUTION



CABLE MARKING AND LASER ENGRAVING



SPLITTER WITH INTEGRATED CONNECTOR



SPLITTER WITH 2 INTEGRATED PANEL MOUNTS

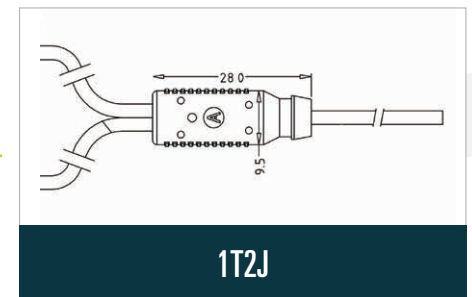
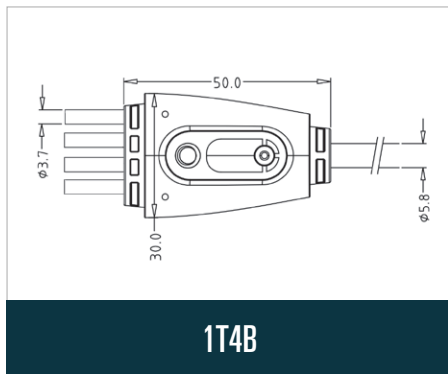
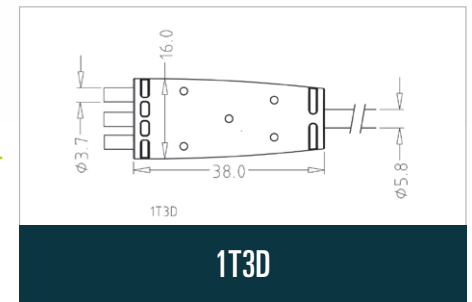
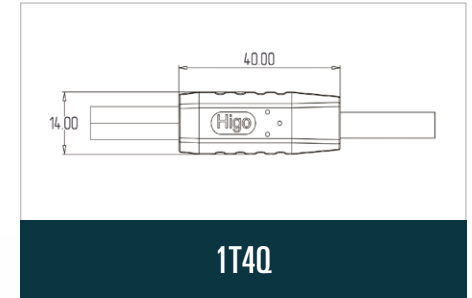
# SPLITTERS



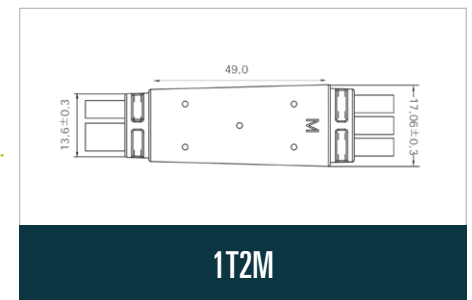
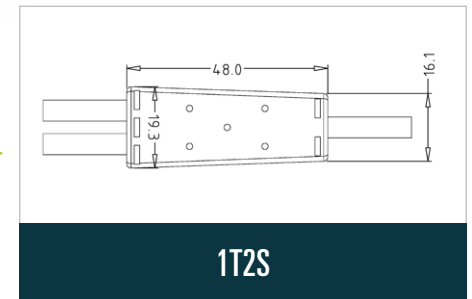
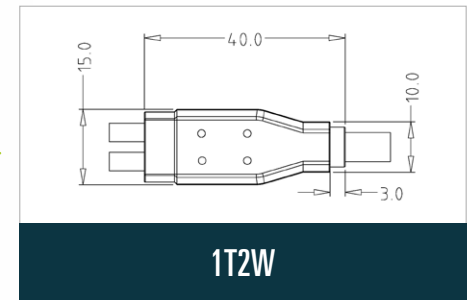
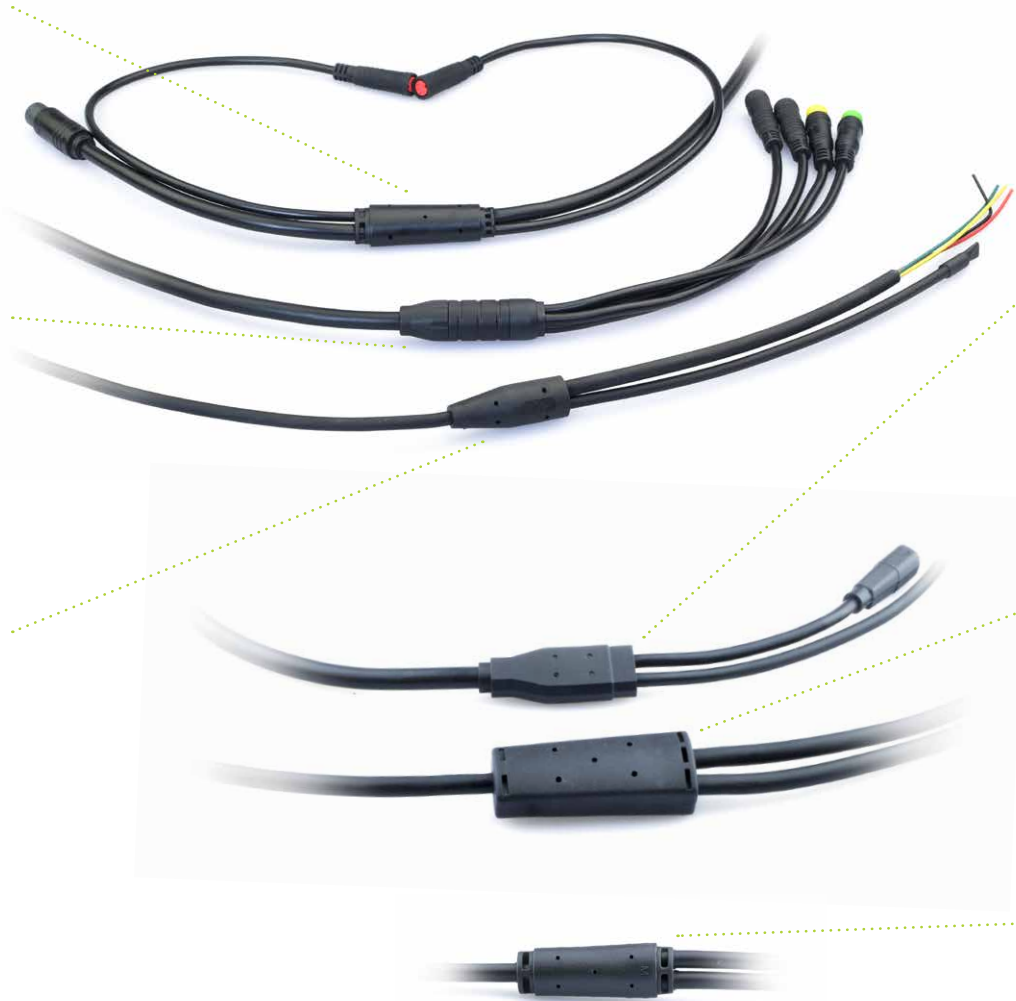
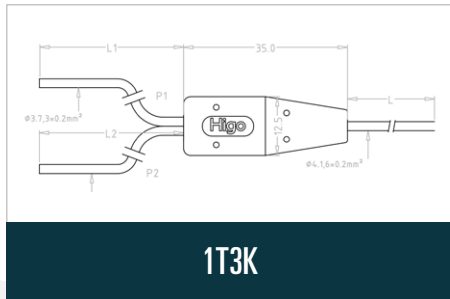
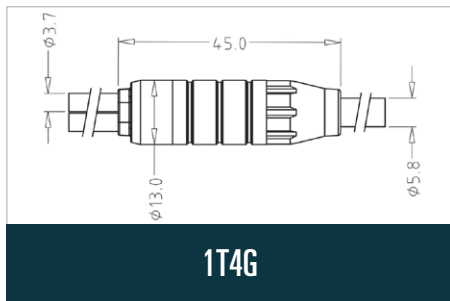
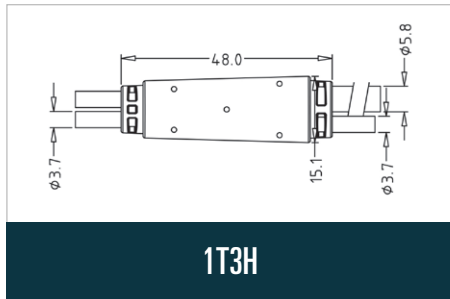
A&C Solutions offers you endless possibilities to create your customised splitter solution. Based on your wiring diagram, you are free to determine:

- the length of each cable on both sides that your application requires
- how many and which Higo and/or other connector(s) you need on both sides
- and which splitter design you prefer or which dimensions (LxWxH) it should have

Besides that it's also up to you to decide the cable type (PVC or TPU) and the level of finishing (crimped, stripped or with a different contact). These splitter designs are already available in smaller quantities.



# SPLITTERS





'We clearly see that more and more customers try to further enhance the e-bike experience by adding extra features like tracking systems, GPS, electrical locks, heat grips and even heated seats. So along with an even more compact design, there is a need for extra connections and a higher data transmission. This trend keeps our R&D colleagues at Higo constantly focussed on creating smaller designs with an increasing number of poles so that in the end all connectors can still be nicely hidden away in e-bike frames.'

*Joni Ivens, International Inside Sales Specialist*





## SIGNAL CONNECTORS



SIGNAL MINI B

22 - 23



SIGNAL MINI F

24 - 25



SIGNAL MICRO Q/X/M/T/A/B

26 - 31



SIGNAL MINI C

32



SIGNAL MAIN PLUG

33

# SIGNAL CONNECTORS MINI B PLUG



## ARTICLE NUMBER BUILD-UP:

**Number of poles:**  
2 up to 6

**Cable length in mm**

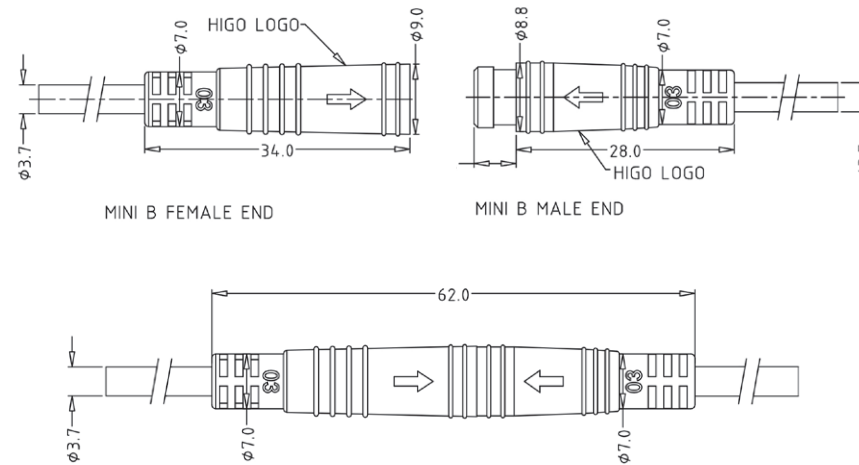
oo: Standard  
01: Cable & wires stripped + tinned  
05: Customised with other connectors

Z \* 09 B \* P \* \* \* \* \*

**M:** Female  
**G:** Male

**EXTENSION CABLES:**  
**X:** Male-Female  
**Y:** Female-Female  
**Z:** Male-Male

A0: PVC cable 2x0,2mm<sup>2</sup>  
A1: PVC cable 3x0,2mm<sup>2</sup>  
A2: PVC cable 4x0,14mm<sup>2</sup>  
A3: PVC cable 5x0,14mm<sup>2</sup>  
A4: PVC cable 6x0,14mm<sup>2</sup>  
For more options: see website



## CHARACTERISTICS

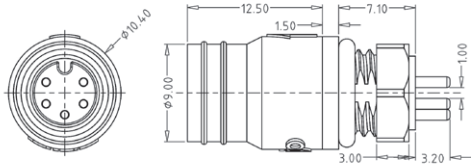
Temperature Range:	-25°C up to +80°C
Rated Voltage:	48V AC / 60V DC
Rated Current:	2A
Contact Resistance:	≤10mΩ
Insulation Resistance:	≥20MΩ
Protection Level:	IP66
Mating Cycles:	200 times
Outside Diameter:	9,0mm
Fitting Length:	62,0mm
Wire Specification:	0,14mm <sup>2</sup> / 0,2mm <sup>2</sup>



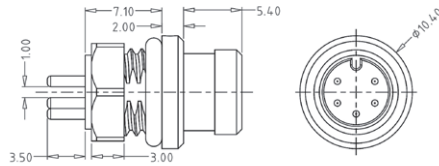
# HIGO



# SIGNAL CONNECTORS MINI B PANEL MOUNT



FEMALE END



MALE END

## ARTICLE NUMBER BUILD-UP:

Number of poles:  
2 up to 6

02: With solder cup contacts without wires  
03: With solder cup contacts with wires  
04: With straight PCB contacts

Z \* 09 B \* C \* \* \* \* \* \* \* \*

M: Female  
G: Male

oo: No cable

Cable length in mm

## CHARACTERISTICS

Temperature Range:	-25°C up to +80°C
Rated Voltage:	48V AC / 60V DC
Rated Current:	2A
Contact Resistance:	≤10mΩ
Insulation Resistance:	≥20MΩ
Protection Level:	IP66
Mating Cycles:	200 times
Outside Diameter:	9,0mm
Fitting Length:	62,0mm
Wire Specification:	0,14mm <sup>2</sup> / 0,2mm <sup>2</sup>



# CONNECTOR

SIGNAL

# SIGNAL CONNECTORS MINI F PLUG



## ARTICLE NUMBER BUILD-UP:

Cable length in mm

Number of poles:  
2 up to 9

oo: Standard  
o1: Cable & wires stripped + tinned  
o5: Customised with other connectors

Z \* 0 9 F \* \* \* \* \*

M: Female  
G: Male

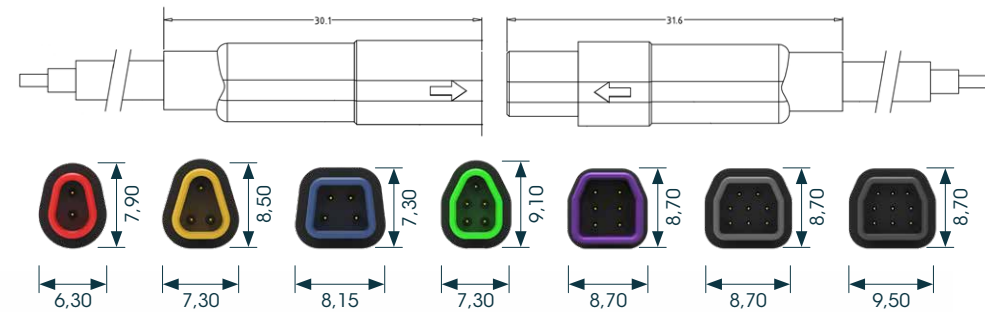
P: Plug  
A: Angled Plug

EXTENSION CABLES:  
X: Male-Female  
Y: Female-Female  
Z: Male-Male

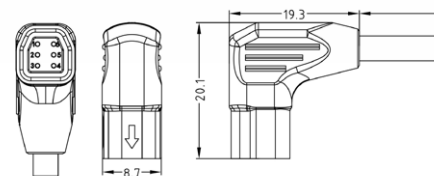
Ao: PVC cable 2 x 0,2mm<sup>2</sup>  
A1: PVC cable 3 x 0,2mm<sup>2</sup>  
A2: PVC cable 4 x 0,14mm<sup>2</sup>  
A3: PVC cable 5 x 0,14mm<sup>2</sup>  
A4: PVC cable 6x0,14mm<sup>2</sup>  
DL: PVC cable 8x0,14mm<sup>2</sup>  
DN: PVC cable 9x0,15mm<sup>2</sup>  
For more options: see website

FEMALE PLUG

MALE PLUG



6-pole version



## CHARACTERISTICS

Temperature Range:	-25°C up to +80°C
Rated Voltage:	48V AC / 60V DC
Rated Current:	2A
Contact Resistance:	≤10mΩ
Insulation Resistance:	≥20MΩ
Protection Level:	IP66/IP67
Mating Cycles:	200 times
Fitting Length:	55,0mm
Wire Specification:	0,14mm <sup>2</sup> / 0,2mm <sup>2</sup>

# HIGO



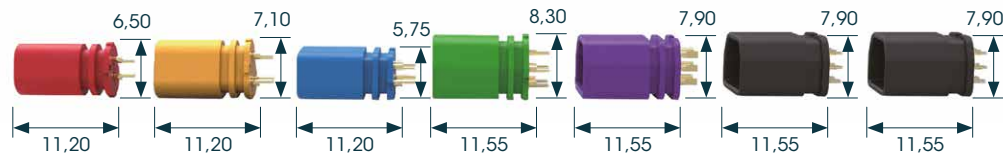


# SIGNAL CONNECTORS MINI F PANEL MOUNT



Z409FG:  
COVER FOR MALE

Covers for male and female connectors available from 2 to 9 poles



## ARTICLE NUMBER BUILD-UP:



Female only available in 2,3,6 and 8 poles  
Contact our sales team for a tailor made backshell for your design

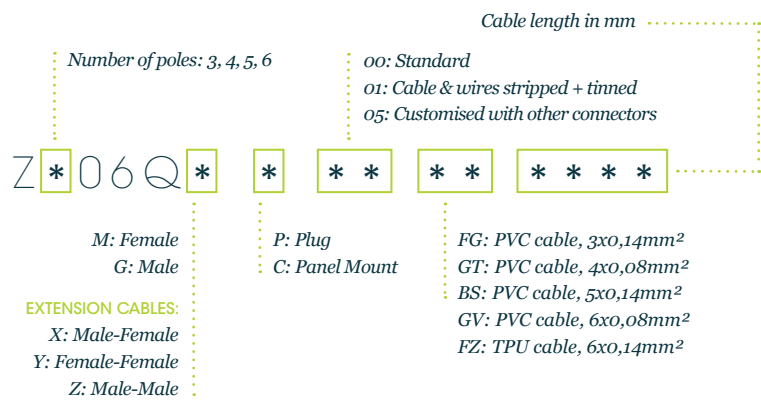
## CHARACTERISTICS

Temperature Range:	-25°C up to +80°C
Rated Voltage:	48V AC / 60V DC
Rated Current:	2A
Contact Resistance:	≤10mΩ
Insulation Resistance:	≥20MΩ
Protection Level:	IP66/IP67
Mating Cycles:	200 times

# CONNECTOR

# SIGNAL CONNECTORS MICRO Q **PLUG & PANEL MOUNT**

## ARTICLE NUMBER BUILD-UP:

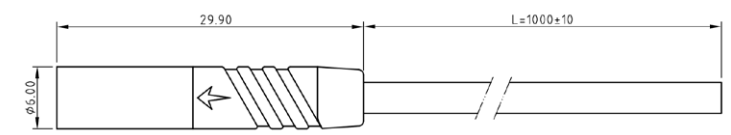


## CHARACTERISTICS

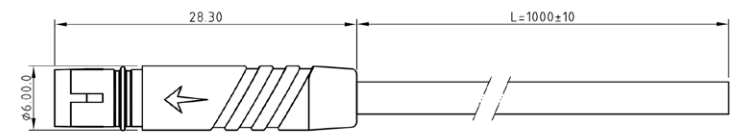
Temperature Range:	-25°C up to +80°C
Rated Voltage:	48V AC / 60V DC
Rated Current:	2A
Contact Resistance:	≤10mΩ
Insulation Resistance:	≥20MΩ
Protection Level:	IP67
Mating Cycles:	50 times
Outside Diameter:	6,0mm
Fitting Length:	50,0mm
Wire Specification:	0,08mm <sup>2</sup> / 0,14mm <sup>2</sup>



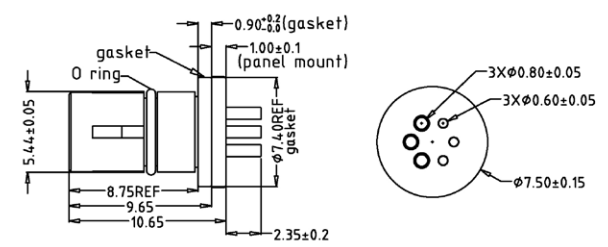
MALE END



FEMALE END



FEMALE PANEL MOUNT

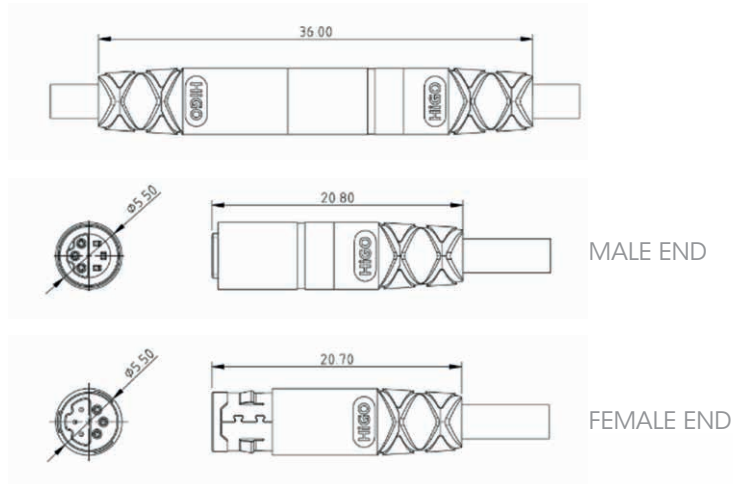


**PATENTED**

# HIGO

NEW

# SIGNAL CONNECTORS MICRO X PLUG



### ARTICLE NUMBER BUILD-UP:

Number of poles:  
2 up to 6

Cable length in mm

00: Standard  
01: Cable & wires stripped + tinned  
05: Customised with other connectors

Z \* 05 X \* P \* \* \* \* \* \* \* \*

M: Female  
G: Male

EXTENSION CABLES:  
X: Male-Female  
Y: Female-Female  
Z: Male-Male

DS: PVC cable, 2x0.14mm<sup>2</sup>  
FG: PVC cable, 3x0.14mm<sup>2</sup>  
GT: PVC cable, 4x0.08mm<sup>2</sup>  
FW: PVC cable, 5x0.08mm<sup>2</sup>  
DY: PVC cable, 6x0.08mm<sup>2</sup>



### CHARACTERISTICS

Temperature Range:	-25°C up to +80°C
Rated Voltage:	48V AC / 60V DC
Rated Current:	2A
Contact Resistance:	≤10mΩ
Insulation Resistance:	≥20MΩ
Protection Level:	IP67
Mating Cycles:	200 times
Outside Diameter:	5,5mm
Fitting Length:	36,0mm
Wire Specification:	0,08mm <sup>2</sup> / 0,14mm <sup>2</sup>

# CONNECTOR

SIGNAL

# SIGNAL CONNECTORS MICRO M PLUG



## ARTICLE NUMBER BUILD-UP:

Cable length in mm

Number of poles:  
2,4

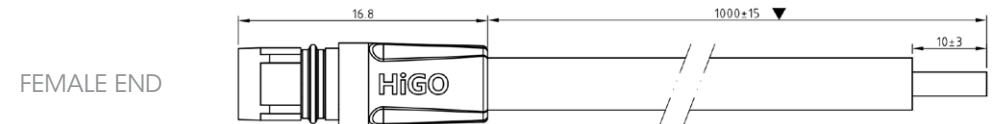
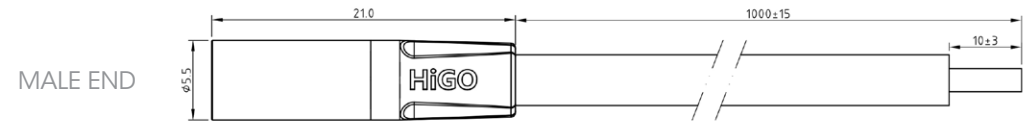
oo: Standard  
o1: Cable & wires stripped + tinned  
o5: Customised with other connectors

Z \* 05 M \* P \* \* \* \* \* \*

M: Female  
G: Male

EXTENSION CABLES:  
X: Male-Female  
Y: Female-Female  
Z: Male-Male

BT: TPU cable 2x0,13mm<sup>2</sup>  
H2: TPU cable 4x0,13mm<sup>2</sup>



## CHARACTERISTICS

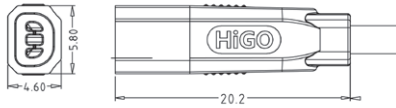
Temperature Range:	-25°C up to +80°C
Rated Voltage:	48V AC / 60V DC
Rated Current:	2A
Contact Resistance:	≤10mΩ
Insulation Resistance:	≥20MΩ
Protection Level:	IP67
Mating Cycles:	50 times
Outside Diameter:	5,5mm
Fitting Length:	30,0mm
Wire Specification:	0,13mm <sup>2</sup>



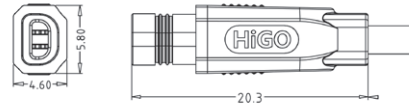
# HIGO



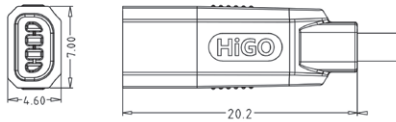
# SIGNAL CONNECTORS MICRO T PLUG & PANEL MOUNT



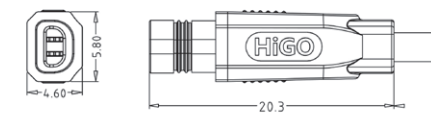
2-POLE MALE END



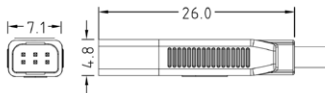
2-POLE FEMALE END



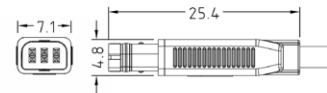
3-POLE MALE END



3-POLE FEMALE END



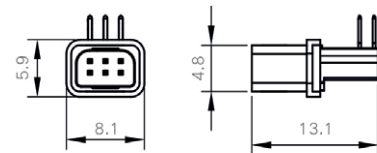
6-POLE MALE END



6-POLE FEMALE END



6-POLE PANEL MOUNT



## ARTICLE NUMBER BUILD-UP:

Cable length in mm

Number of poles: 2, 3 and 6

00: Standard  
01: Cable & wires stripped + tinned  
05: Customised with other connectors

Z \* \* \* T \* P \* \* \* \* \* \* \* \*

06: 2 poles  
07: 3 & 6 poles

M: Female  
G: Male

EXTENSION CABLES:  
X: Male-Female  
Y: Female-Female  
Z: Male-Male

DS: PVC cable 2x0,14mm<sup>2</sup>  
D2: PVC cable 3x0,14mm<sup>2</sup>  
DY: PVC cable 6x0,08mm<sup>2</sup>

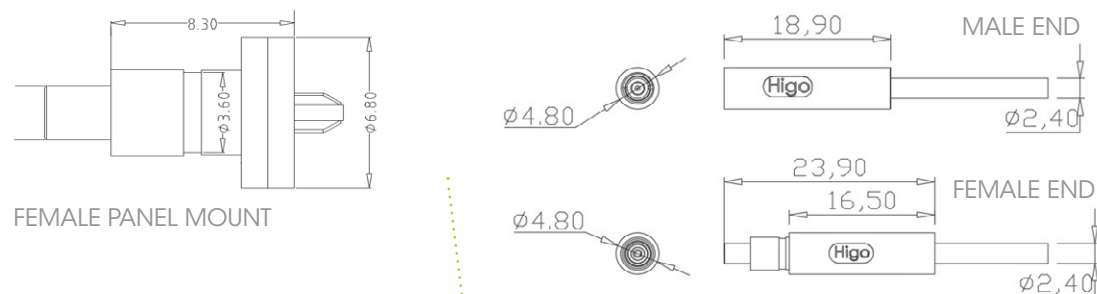
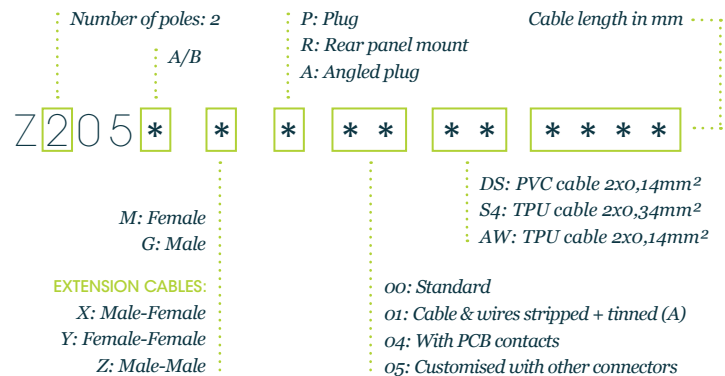
## CHARACTERISTICS

Temperature Range:	-25°C up to +80°C
Rated Voltage:	48V AC / 60V DC
Rated Current:	2A
Contact Resistance:	≤10mΩ
Insulation Resistance:	≥20MΩ
Protection Level:	IP67
Mating Cycles:	200 times
Outside Diameter:	2 poles: 5,8mm, 3&6 poles: 7mm
Fitting Length:	2&3 poles: 35mm, 6 poles: 45mm
Wire Specification:	0,08mm <sup>2</sup> / 0,14mm <sup>2</sup>

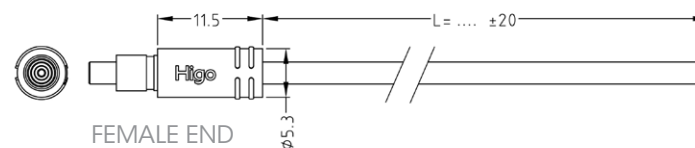
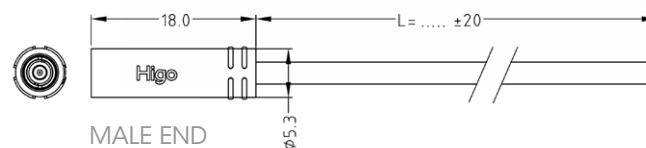
# CONNECTOR

# SIGNAL CONNECTORS MICRO A/B\* 2-POLE PLUG & PANEL MOUNT A&C

## ARTICLE NUMBER BUILD-UP:



Micro A



## CHARACTERISTICS

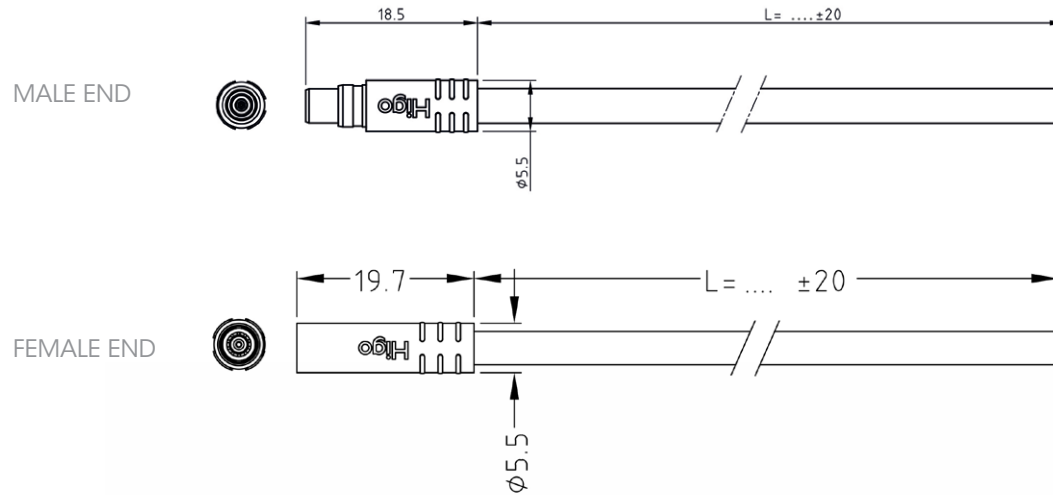
Temperature Range:	-25°C up to +80°C
Rated Voltage:	48V AC/DC
Rated Current:	2A (DS/AW) / 5A (S4)
Contact Resistance:	≤10mΩ
Insulation Resistance:	≥20MΩ
Protection Level:	IP67
Mating Cycles:	200 times
Outside Diameter:	4,8mm (A), 5,3mm (B)
Fitting Length:	35,4mm (A), 29,5mm (B)
Wire Specification:	0,14mm <sup>2</sup> (A/B) / 0,34mm <sup>2</sup> (B)

\* A or B are indicated when a specification is only applicable for one or the other

# HIGO



# SIGNAL CONNECTORS MICRO A 3-POLE PLUG



## ARTICLE NUMBER BUILD-UP:

Number of poles: 3

00: Standard  
01: Cable & wires stripped + tinned  
05: Customised with other connectors

Z305A \* P \*\* FV \*\*\*\*

M: Female  
G: Male

FV: PVC cable, 3x0,14mm<sup>2</sup>

EXTENSION CABLES:  
X: Male-Female  
Y: Female-Female  
Z: Male-Male

Cable length in mm

## CHARACTERISTICS

Temperature Range:	-25°C up to +80°C
Rated Voltage:	48V AC / 60V DC
Rated Current:	2A
Contact Resistance:	≤10mΩ
Insulation Resistance:	≥20MΩ
Protection Level:	IP66
Mating Cycles:	200 times
Outside Diameter:	5,5mm
Fitting Length:	31,7mm
Wire Specification:	0,14mm <sup>2</sup>



# CONNECTOR

# SIGNAL CONNECTORS MINI C PLUG (P) & PANEL MOUNT (C)\*



## ARTICLE NUMBER BUILD-UP:

09: 2 up to 6 poles (P)  
10: 8 poles

P: Plug  
C: Panel mount

00: Standard (P)  
01: Cable & wires stripped & tinned (P)  
03: With solder cup contacts with wires (C)  
05: Customised with other connectors (P)

Cable length in mm



Number of poles:  
2,3,4,5,6,  
8(P)

M: Female (P)  
G: Male

### EXTENSION CABLES:

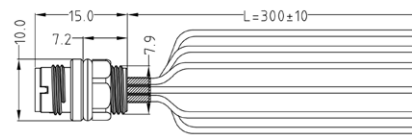
X: Male-Female  
Y: Female-Female  
Z: Male-Male

### P:

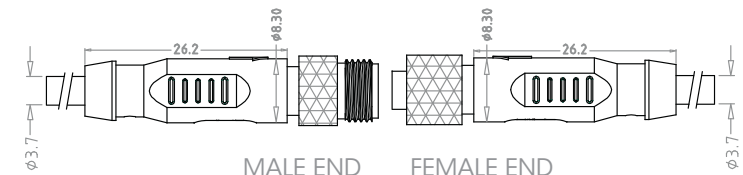
A0: PVC cable 2x0,2mm<sup>2</sup>  
A1: PVC cable 3x0,2mm<sup>2</sup>  
A2: PVC cable 4x0,14mm<sup>2</sup>  
A3: PVC cable 5x0,14mm<sup>2</sup>  
A4: PVC cable 6x0,14mm<sup>2</sup>  
A5: PVC cable 8x0,20mm<sup>2</sup>  
For more options: see website

### C:

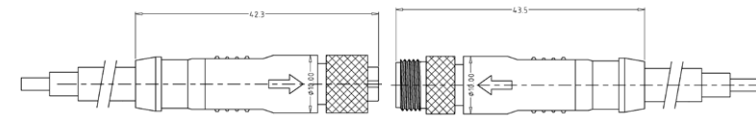
00: PVC wires 2x0,2mm<sup>2</sup>  
00: PVC wires 3x0,34mm<sup>2</sup>  
00: PVC wires 4x0,2mm<sup>2</sup>  
00: PVC wires 5x0,34mm<sup>2</sup>  
00: PVC wires 6x0,2mm<sup>2</sup>



MALE PANEL MOUNT



MALE END 2-6 POLE VERSION  
FEMALE END 2-6 POLE VERSION



FEMALE END 8-POLE VERSION  
MALE END 8-POLE VERSION

## CHARACTERISTICS

Temperature Range:	-25°C up to +80°C
Rated Voltage:	48V AC / 60V DC
Rated Current:	2A
Contact Resistance:	≤10mΩ
Insulation Resistance:	≥20MΩ
Protection Level:	IP67
Mating Cycles:	200 times
Outside Diameter:	9,0mm (P) / 10,0mm (C)
Fitting Length (P):	68,6mm (2-6p) / 80,0mm (8p)
Wire Specification:	0,14mm <sup>2</sup> / 0,2mm <sup>2</sup> (P) 0,2mm <sup>2</sup> / 0,34mm <sup>2</sup> (C)



\* P or C are indicated when a specification is only applicable for one or the other

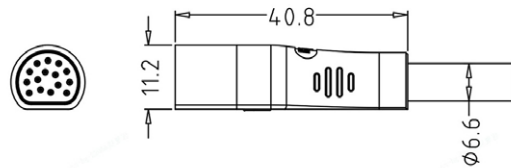
# HIGO



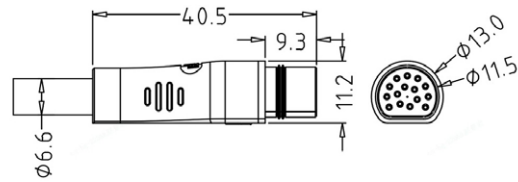


# SIGNAL CONNECTORS MAIN PLUG

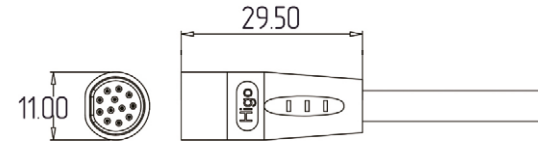
MALE END



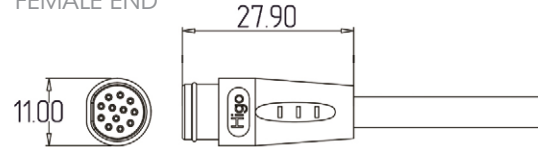
FEMALE END



MALE END



FEMALE END



## ARTICLE NUMBER BUILD-UP:

Number of poles: 12, 15

00: Standard  
01: Cable & wires stripped + tinned  
05: Customised with other connectors

Z \* \* \* \* A \* P \* \* \* \* \* \* \* \*

11 (12-pole)  
13 (15-pole)

M: Female  
G: Male

DW: PVC cable 12x0,14mm<sup>2</sup>  
BV: PVC cable 15x0,14mm<sup>2</sup>

Cable length in mm

## CHARACTERISTICS

Temperature Range:	-25°C up to +80°C
Rated Voltage:	48V AC / 60V DC
Rated Current:	2A
Contact Resistance:	≤10mΩ
Insulation Resistance:	≥20MΩ
Protection Level:	IP67
Mating Cycles:	200 times
Outside Diameter:	11,0mm (Z1211A) / 13,0mm (Z1513A)
Fitting Length:	53,0mm (Z1211A) / 72,0mm (Z1513A)
Wire Specification:	0,14mm <sup>2</sup>



# CONNECTOR



'There where we feel we can step up, we challenge ourselves to come up with more reliable and professional solutions. The designs in the battery connector range are good examples of this. By adding key features like flexible connections, self-locking mechanisms and by combining charging and discharging of batteries into one connector, we enhance the user friendliness of our products and we broaden our scope.'

*Ignacio Higes Higes, Business Development Manager Spain & Portugal*





## BATTERY CONNECTORS



PUSH-ON 2P-5P

36 - 39



PUSH-ON 6P-12P

40 - 46



PUSH-ON FLEXIBLE 6P

47 - 48



SELF- & MANUAL LOCKING 5P & 8P

49 - 52



SELF-LOCKING 8P, BUTTON RELEASE

53



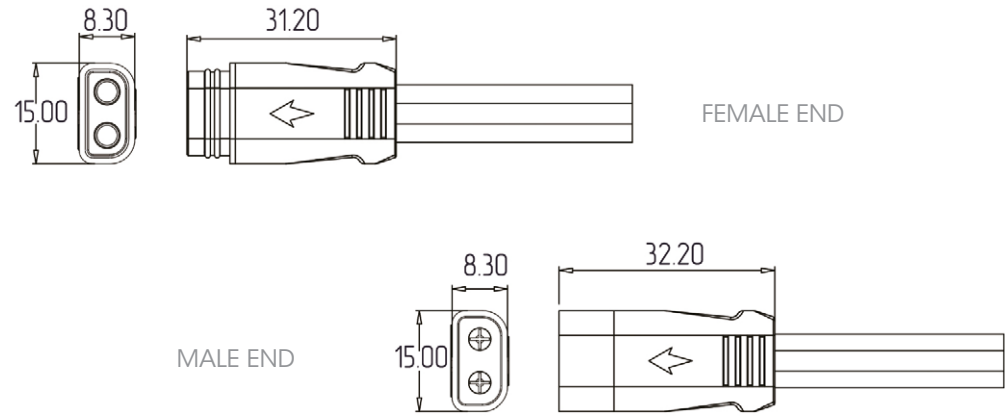
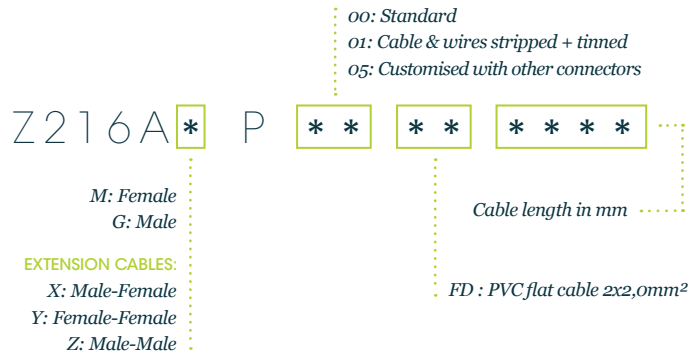
SCREW LOCKING 5P & 6P

54 - 55

# BATTERY CONNECTORS **PUSH-ON**



## ARTICLE NUMBER BUILD-UP:



## CHARACTERISTICS

Temperature Range:	-25°C up to +80°C
Rated Voltage:	48V AC / 60V DC
Rated Current:	25A
Contact Resistance:	≤10mΩ
Insulation Resistance:	≥20MΩ
Protection Level:	IP67
Mating Cycles:	200 times
Outside Diameter:	15,0mm x 8,30mm
Fitting Length:	51,0mm
Wire Specification:	2,0mm <sup>2</sup>

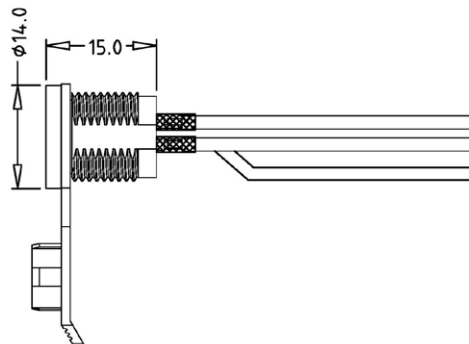
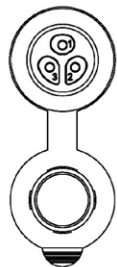
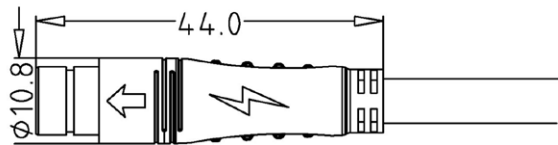


# HIGO



# BATTERY CONNECTORS **PUSH-ON**

MALE PLUG



FEMALE PANEL MOUNT

## ARTICLE NUMBER BUILD-UP:

Z311A\*

M: Female  
G: Male

Extension cables:  
Z: Male-Male (plug)

P: Plug  
C: Panel Mount

00: Standard  
03: with solder cup contacts with wires  
05: Customised with other connectors

Cable length in mm

FJ: PVC Cable, OD5,60mm, 3x0,5mm<sup>2</sup>  
FK: PVC Single wire, UL1007, 3x0,5mm<sup>2</sup>

## CHARACTERISTICS

Temperature Range:	-25°C up to +80°C
Rated Voltage:	48V AC / 60V DC
Rated Current:	5A
Contact Resistance:	≤10mΩ
Insulation Resistance:	≥20MΩ
Protection Level:	IP66
Mating Cycles:	3000 times
Outside Diameter:	10,8mm (P) / 14,0mm (C)
Wire Specification:	0,5mm <sup>2</sup>

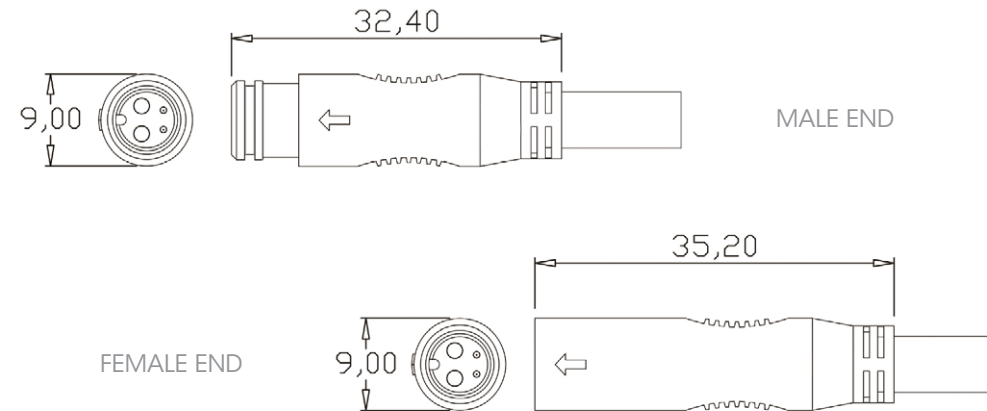
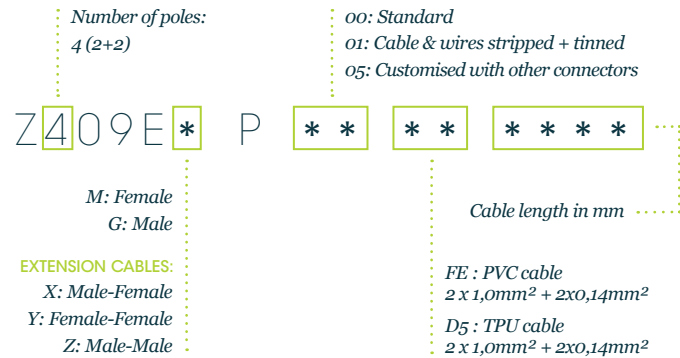


# CONNECTOR

# BATTERY CONNECTORS **PUSH-ON**



## ARTICLE NUMBER BUILD-UP:



## CHARACTERISTICS

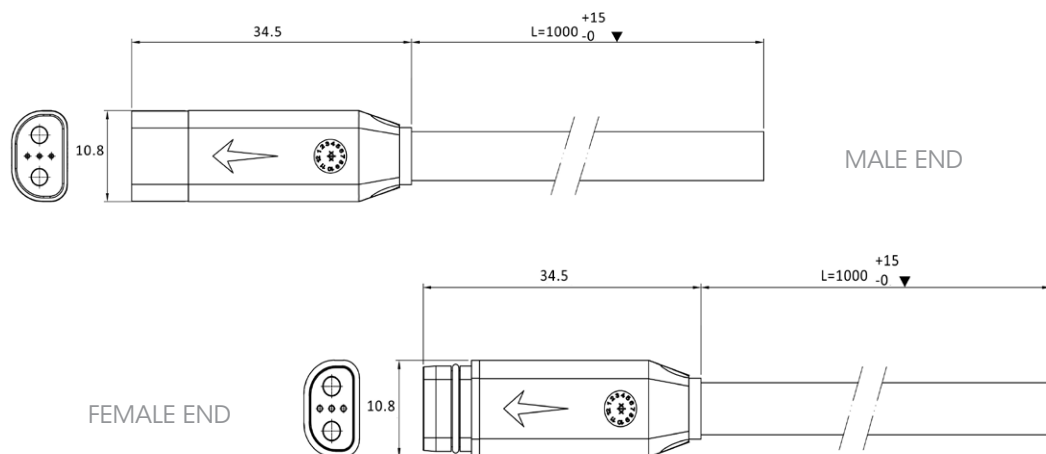
Temperature Range:	-25°C up to +80°C
Rated Voltage:	48V AC / 60V DC
Rated Current:	15A / 2A
Contact Resistance:	≤10mΩ
Insulation Resistance:	≥20MΩ
Protection Level:	IP67
Mating Cycles:	200 times
Outside Diameter:	9,0mm
Fitting Length:	61,0mm
Wire Specification:	2 x 1,0mm <sup>2</sup> + 2 x 0,14mm <sup>2</sup>



# HIGO



# BATTERY CONNECTORS **PUSH-ON**



## ARTICLE NUMBER BUILD-UP:

Number of poles:  
5 (2+3)

00: Standard  
01: Cable&wires stripped+tinned  
05: Customised with other connectors

Z511B\* P \*\* FT \*\*\*

M: Female  
G: Male

EXTENSION CABLES:  
X: Male-Female  
Y: Female-Female  
Z: Male-Male

Cable length in mm

FT: PVC cable 2x2,0mm<sup>2</sup>+3x0,14mm<sup>2</sup>



# CONNECTOR

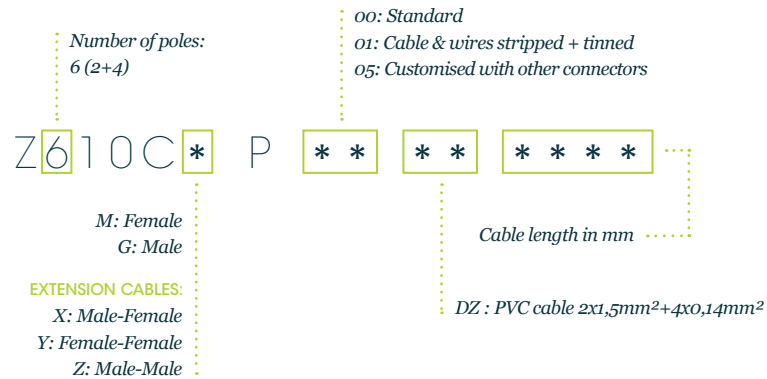
## CHARACTERISTICS

Temperature Range:	-25°C up to +80°C
Rated Voltage:	48V AC / 60V DC
Rated Current:	20A / 2A
Contact Resistance:	≤10mΩ
Insulation Resistance:	≥20MΩ
Protection Level:	IP67
Mating Cycles:	200 times
Outside Diameter:	10,8mm
Fitting Length:	63,0mm
Wire Specification:	2 x 2,0mm <sup>2</sup> + 3 x 0,14mm <sup>2</sup>

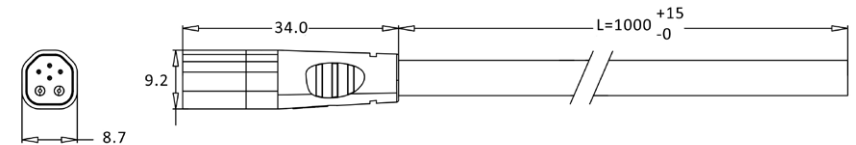
# BATTERY CONNECTORS **PUSH-ON**



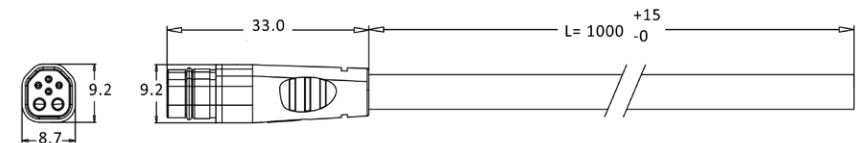
## ARTICLE NUMBER BUILD-UP:



MALE END



FEMALE END



## CHARACTERISTICS

Temperature Range:	-25°C up to +80°C
Rated Voltage:	48V AC / 60V DC
Rated Current:	15A / 2A
Contact Resistance:	≤10mΩ
Insulation Resistance:	≥20MΩ
Protection Level:	IP67
Mating Cycles:	200 times
Outside Diameter:	8,70mm x 9,20mm
Fitting length:	59,0mm
Wire Specification:	2 x 1,5mm <sup>2</sup> + 4 x 0,14mm <sup>2</sup>

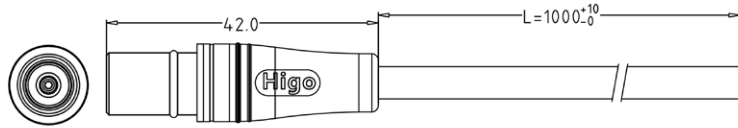


# HIGO

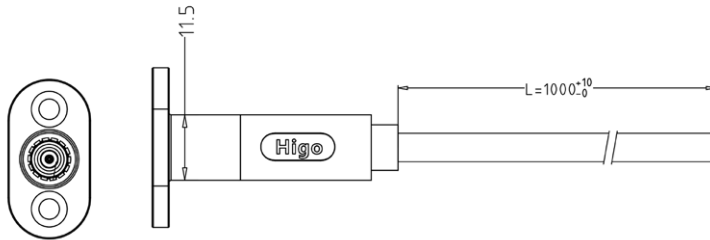


NEW

# BATTERY CONNECTORS **PUSH-ON**



MALE END



FEMALE END



## ARTICLE NUMBER BUILD-UP:

Z212A\* P \*\* \*\* \* \* \* \*

00: Standard  
01: Cable & wires stripped + tinned  
05: Customised with other connectors

M: Female  
G: Male

EXTENSION CABLES:  
X: Male-Female  
Y: Female-Female  
Z: Male-Male

Cable length in mm

BW: PVC cable 2x18AWG

## CHARACTERISTICS

Temperature Range: -25°C up to +80°C  
 Rated Voltage: 48V AC / 60V DC  
 Rated Current: 8A  
 Contact Resistance: ≤10mΩ  
 Insulation Resistance: ≥20MΩ  
 Protection Level: IP67  
 Mating Cycles: 3000 times  
 Outside diameter: 11,5mm

# CONNECTOR

BATTERY

# BATTERY CONNECTORS **PUSH-ON, 36V**



## ARTICLE NUMBER BUILD-UP: (Coding only for 36v applications)

**Number of poles:**  
6 (2+4)

**00: Standard**  
01: Cable & wires stripped + tinned  
03: with solder cup contacts with wires  
05: Customised with other connectors

**M: Female**  
**G: Male**

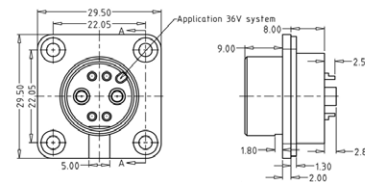
**EXTENSION CABLES:**  
X: Male-Female  
Y: Female-Female  
Z: Male-Male

**P: Plug**  
**C: Panel Mount**

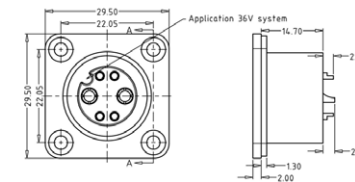
**Cable length in mm**

**DR: PVC single wires 2x4,0mm<sup>2</sup> + 4x0,2mm<sup>2</sup>**  
**D1: PVC single wires 2xAWG14 + 4xAWG22**  
**B6: PVC single wires 2xAWG16 + 4xAWG22**  
**D9: PVC single wires 2xAWG18 + 4xAWG22**  
**FH: TPU cable 2x2,0mm<sup>2</sup> + 4x0,34mm<sup>2</sup>**

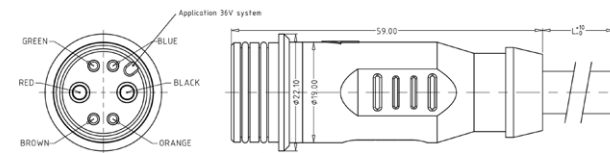
Article number example: Z624C\* \* \* \* \*



MALE PANEL MOUNT



FEMALE PANEL MOUNT



MALE PLUG

## CHARACTERISTICS

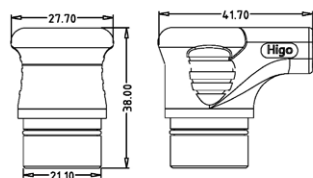
Temperature Range:	-25°C up to +80°C
Rated Voltage:	48V AC / 60V DC
Rated Current:	40A / 5A
Contact Resistance:	≤10mΩ
Insulation Resistance:	≥20MΩ
Protection Level:	IP67
Mating Cycles:	3000 times
Outside Diameter:	19,0mm (P) / 29,5mm (C)



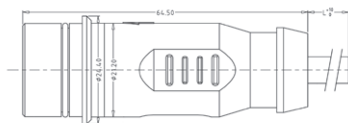
# HIGO



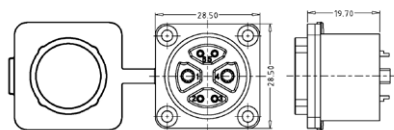
# BATTERY CONNECTORS PUSH-ON, 48 V



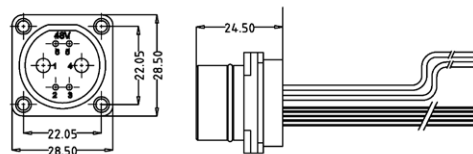
MALE ANGLED PLUG



MALE PLUG



FEMALE PANEL MOUNT



MALE PANEL MOUNT



## ARTICLE NUMBER BUILD-UP: (Coding only for 48v applications)

Number of poles:  
6 (2+4)

- 00: Standard
- 01: Cable & wires stripped + tinned
- 03: with solder cup contacts with wires
- 05: Customised with other connectors

Z624B\* \* \*\* \*\* \*\* \*\*

M: Female  
G: Male

P: Plug  
C: Panel Mount  
A: Angled Plug

Cable length in mm

EXTENSION CABLES:  
X: Male-Female  
Y: Female-Female  
Z: Male-Male

- D1: PVC single wires 2xAWG14 + 4xAWG22
- B6: PVC single wires 2xAWG16 + 4xAWG22
- D9: PVC single wires 2xAWG18 + 4xAWG22
- FH: TPU cable 2x2,0mm<sup>2</sup> + 4x0,34mm<sup>2</sup>
- DR: PVC single wires 2x4,0mm<sup>2</sup> + 4x0,2mm<sup>2</sup>

## CHARACTERISTICS

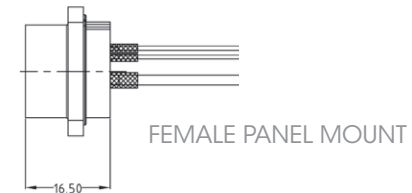
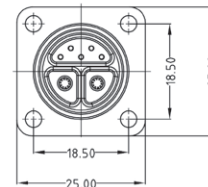
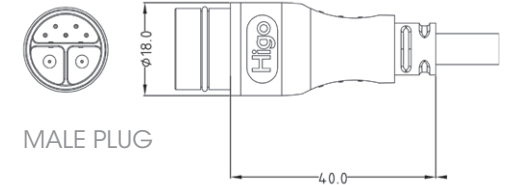
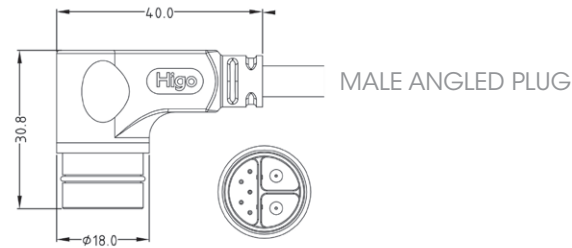
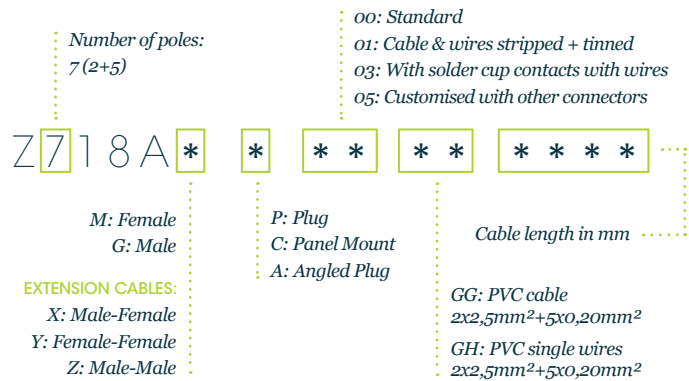
Temperature Range:	-25°C up to +80°C
Rated Voltage:	48V AC / 60V DC
Rated Current:	40A / 5A
Contact Resistance:	≤10mΩ
Insulation Resistance:	≥20MΩ
Protection Level:	IP67
Mating Cycles:	3000 times
Outside Diameter:	21,2mm (P) / 28,5mm (C)

# CONNECTOR

# BATTERY CONNECTORS **PUSH-ON**



## ARTICLE NUMBER BUILD-UP:



## CHARACTERISTICS

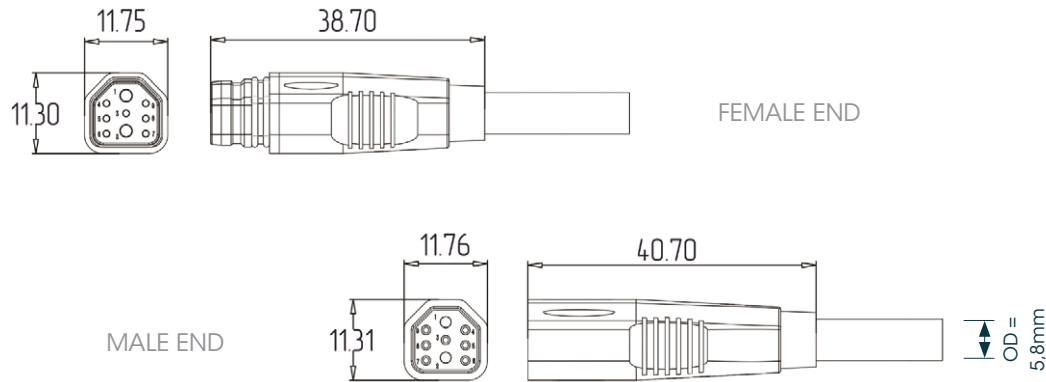
Temperature Range:	-25°C up to +80°C
Rated Voltage:	48V AC / 60V DC
Rated Current:	25A / 2A
Contact Resistance:	≤10mΩ
Insulation Resistance:	≥20MΩ
Protection Level:	IP67
Mating Cycles:	3000 times
Outside Diameter:	17mm
Fitting Length:	30 to 50mm
Wire Specification:	2 x 2,5mm <sup>2</sup> + 5 x 0,20mm <sup>2</sup>



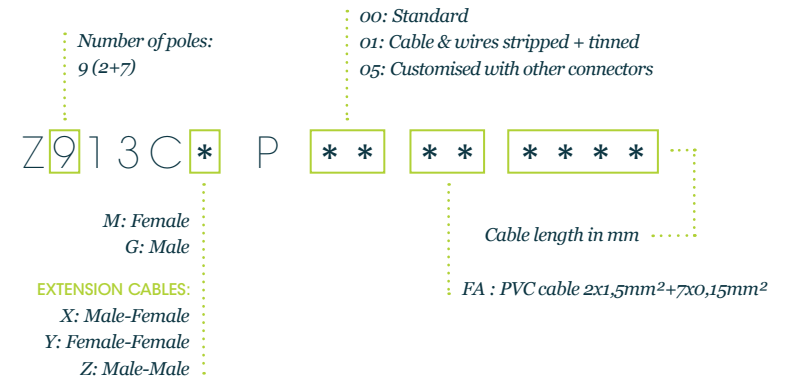
# HIGO



# BATTERY CONNECTORS **PUSH-ON**



## ARTICLE NUMBER BUILD-UP:



## CHARACTERISTICS

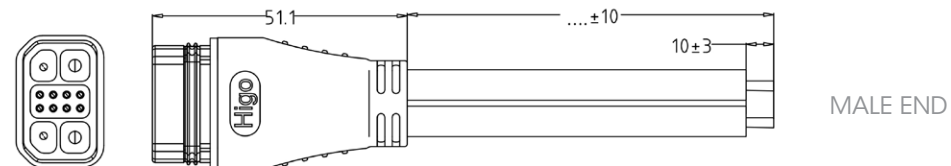
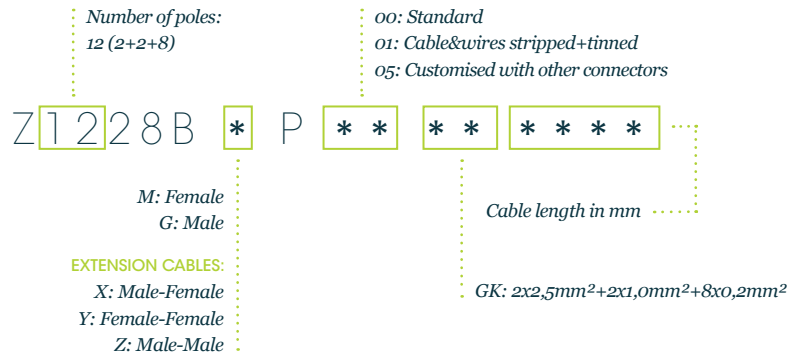
Temperature Range:	-25°C up to +80°C
Rated Voltage:	48V AC / 60V DC
Rated Current:	15A / 2A
Contact Resistance:	≤10mΩ
Insulation Resistance:	≥20MΩ
Protection Level:	IP67
Mating Cycles:	200 times
Outside diameter:	11,31mm x 11,76mm
Fitting length:	71,0mm
Wire Specification:	2 x 1,5mm <sup>2</sup> + 7 x 0,15mm <sup>2</sup>

# CONNECTOR

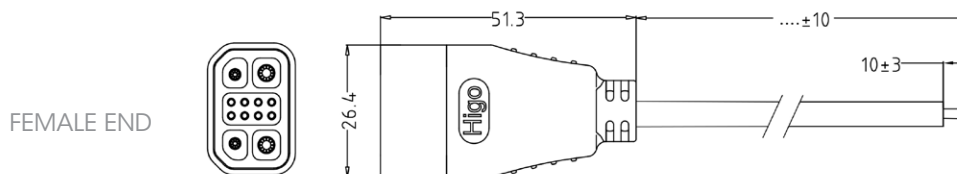
# BATTERY CONNECTORS CHARGING & DISCHARGING IN 1, PUSH-ON



## ARTICLE NUMBER BUILD-UP:



MALE END



FEMALE END

## CHARACTERISTICS

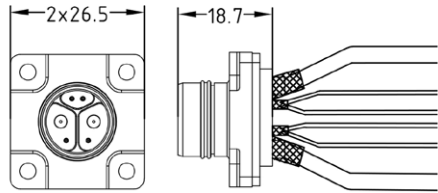
Temperature Range:	-25°C up to +80°C
Rated Voltage:	48V AC / 60V DC
Rated Current:	25A / 10A / 2A
Contact Resistance:	≤10mΩ
Insulation Resistance:	≥20MΩ
Protection Level:	IP67
Mating Cycles:	3000 times
Outside Diameter:	28,0mm
Fitting Length:	90,8mm
Wire Specification:	2 x 2,5mm <sup>2</sup> + 2 x 1,0mm <sup>2</sup> + 8 x 0,2mm <sup>2</sup>



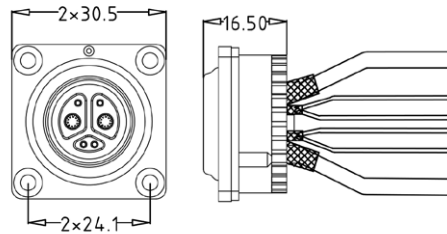
# HIGO



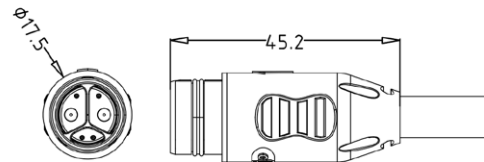
# BATTERY CONNECTORS **PUSH-ON FLEXIBLE**



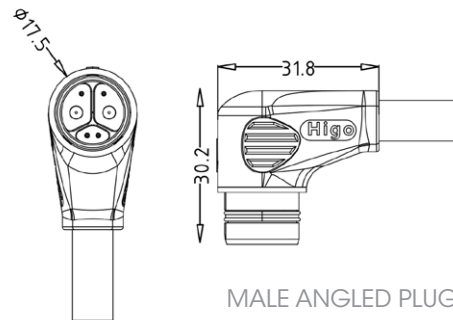
MALE PANEL MOUNT



FEMALE PANEL MOUNT



MALE PLUG



MALE ANGLED PLUG



## ARTICLE NUMBER BUILD-UP:

Number of poles:  
6 (2+4)

00: Standard  
01: Cable & wires stripped + tinned  
03: With solder cup contacts with wires  
05: Customised with other connectors

F618A \* \* \* \* \*

M: Female  
G: Male

EXTENSION CABLES:  
X: Male-Female  
Y: Female-Female  
Z: Male-Male

P: Plug  
C: Panel Mount  
A: Angled Plug

Cable length in mm

GN: PVC cable 2x3,3mm<sup>2</sup>+4x0,20mm<sup>2</sup>  
GA: PVC single wires 2x3,3mm<sup>2</sup>+4x0,20mm<sup>2</sup>  
VM: 2xOD4,0mm,12AWG, Silicon insulation  
4xOD1,4mm, 24AWG, PVC insulation

## CHARACTERISTICS

Temperature Range:	-25°C up to +80°C
Rated Voltage:	48V AC / 60V DC
Rated Current:	30A / 2A
Contact Resistance:	≤10mΩ
Insulation Resistance:	≥20MΩ
Protection Level:	IP67
Mating Cycles:	3000 times
Outside diameter:	18mm
Fitting length:	20 to 40mm
Wire Specification:	2 x 3,3mm <sup>2</sup> + 4 x 0,20mm <sup>2</sup>

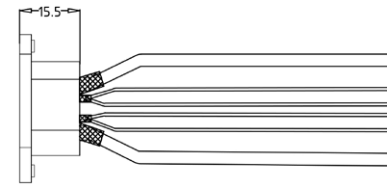
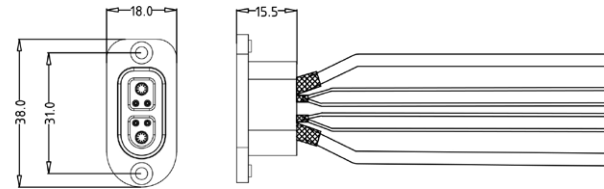
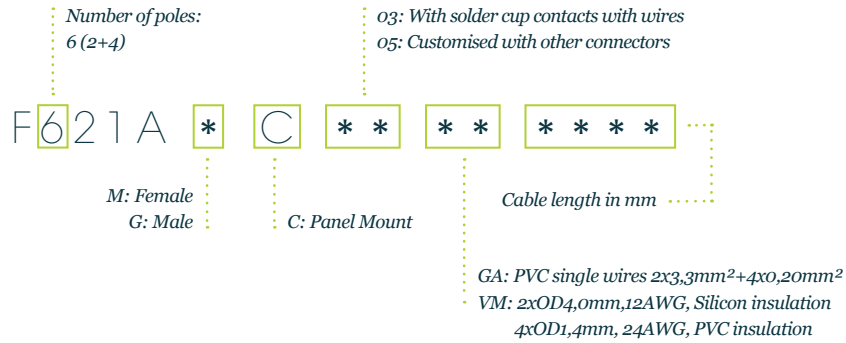
# CONNECTOR

# BATTERY CONNECTORS

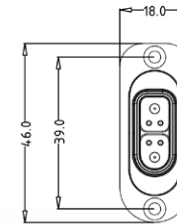
PUSH-ON FLEXIBLE



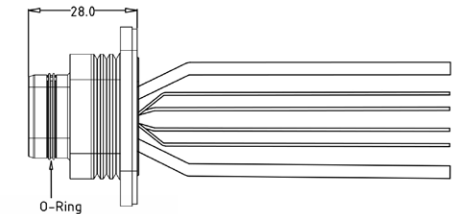
## ARTICLE NUMBER BUILD-UP:



FEMALE PANEL MOUNT



MALE PANEL MOUNT



## CHARACTERISTICS

Temperature Range:	-25°C up to +80°C
Rated Voltage:	48V AC / 60V DC
Rated Current:	30A / 2A
Contact Resistance:	≤10mΩ
Insulation Resistance:	≥20MΩ
Protection Level:	IP67
Mating Cycles:	3000 times
Wire Specification:	2 x 3,3mm <sup>2</sup> + 4 x 0,20mm <sup>2</sup>

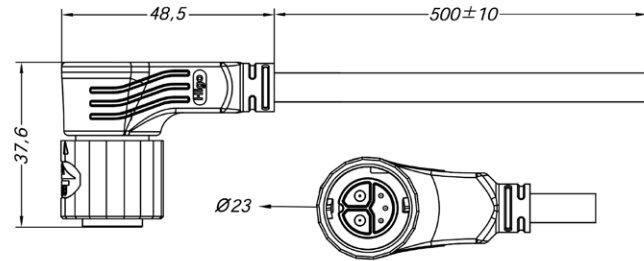


# HIGO



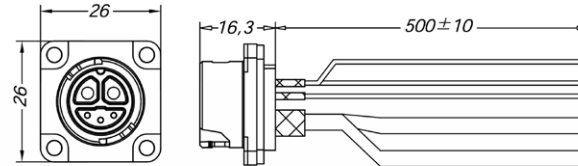


# BATTERY CONNECTORS SELF-LOCKING



MALE ANGLED PLUG

FEMALE PANEL MOUNT



## ARTICLE NUMBER BUILD-UP:

Number of poles:  
5 (2+3)

00: Standard  
01: Cable & wires stripped + tinned  
03: With solder cup contacts with wires  
05: Customised with other connectors

S526A \* \* \* \* \*

M: Female  
G: Male

A: Angled Plug  
C: Panel Mount

Cable length in mm

Bo: PVC cable 2x2,0mm<sup>2</sup>+3x0,20mm<sup>2</sup>  
B9: PVC single wires 2x2,0mm<sup>2</sup>+3x0,20mm<sup>2</sup>

## CHARACTERISTICS

Temperature Range:	-25°C up to +80°C
Rated Voltage:	48V AC / 60V DC
Rated Current:	25A / 2A
Contact Resistance:	≤10mΩ
Insulation Resistance:	≥20MΩ
Protection Level:	IP67
Mating Cycles:	3000 times
Outside diameter:	26mm
Fitting length:	40mm
Wire Specification:	2 x 2,0mm <sup>2</sup> + 3 x 0,20mm <sup>2</sup>

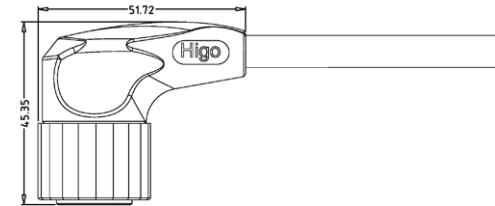
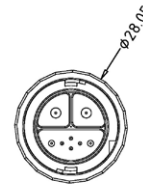
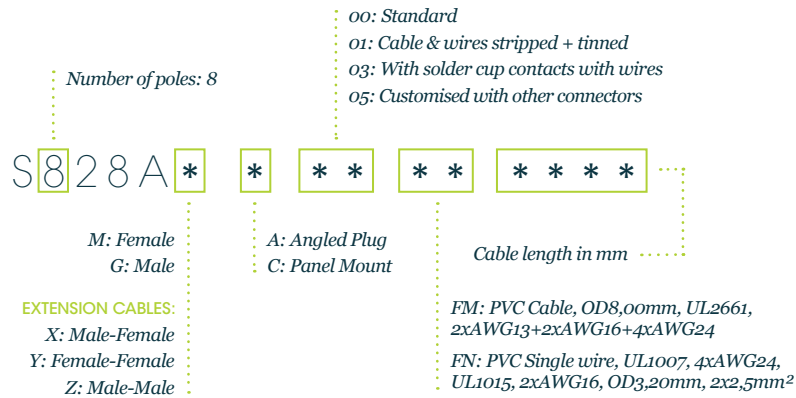


# CONNECTOR

# BATTERY CONNECTORS CHARGING & DISCHARGING IN 1, SELF-LOCKING

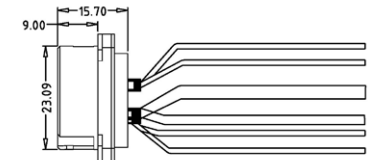
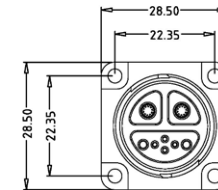


## ARTICLE NUMBER BUILD-UP:



MALE ANGLED PLUG

FEMALE PANEL MOUNT



## CHARACTERISTICS

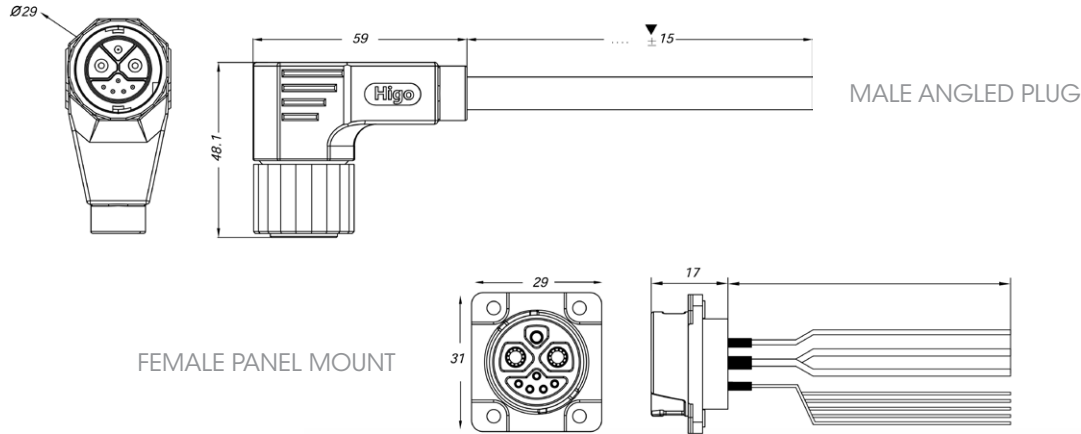
Temperature Range:	-25°C up to +80°C
Rated Voltage:	48V AC / 60V DC
Rated Current:	25A / 10A / 2A
Contact Resistance:	≤10mΩ
Insulation Resistance:	≥20MΩ
Protection Level:	IP67
Mating Cycles:	3000 times
Outside diameter:	28,05mm (P) / 23,09mm (C)
Wire Specifications:	2,5mm <sup>2</sup> / 1,5mm <sup>2</sup> / 0,8mm <sup>2</sup>



# HIGO



# BATTERY CONNECTORS CHARGING & DISCHARGING IN 1, SELF-LOCKING



## ARTICLE NUMBER BUILD-UP:

Number of poles:  
8 (2+1+5)

oo: Standard  
01: Cable & wires stripped + tinned  
03: With solder cup contacts with wires  
05: Customised with other connectors

Cable length in mm

S828B \* \* \* \* \* \* \* \*

M: Female  
G: Male

A: Angled Plug  
C: Panel Mount

CD: PVC cable, OD10,0mm 2\*10AWG+1\*18AWG+5\*22AWG, UL20167  
GX: PVC single wires, 2\*10AWG+1\*18AWG+5\*22AWG  
GM: PVC single wires, 2\*11AWG+1\*18AWG+5\*24AWG



## CHARACTERISTICS

Temperature Range:	-25°C up to +80°C
Rated Voltage:	48V AC / 60V DC
Rated Current:	50A / 15A / 2A
Contact Resistance:	≤10mΩ
Insulation Resistance:	≥20MΩ
Protection Level:	IP67
Mating Cycles:	3000 times
Outside diameter:	28mm
Fitting length:	50mm
Wire Specification:	2*10AWG+1*18AWG+5*22AWG

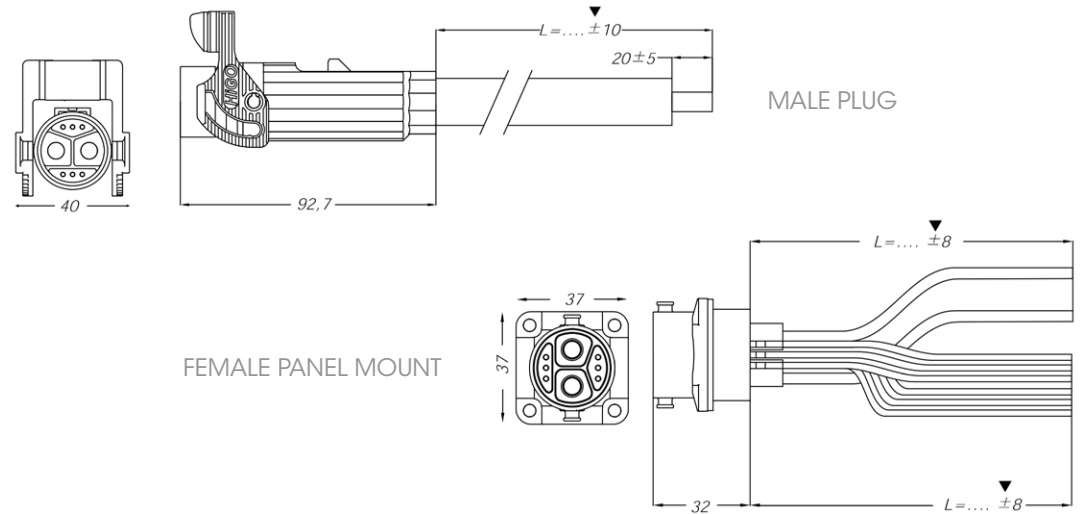
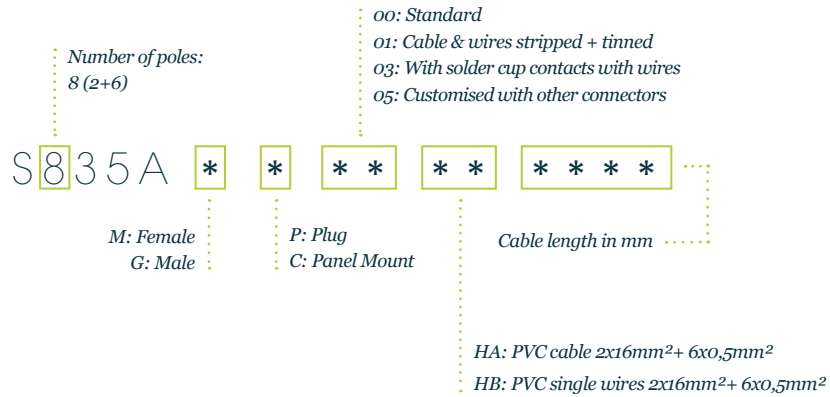
# CONNECTOR

# BATTERY CONNECTORS

## MANUAL LOCKING



### ARTICLE NUMBER BUILD-UP:



### CHARACTERISTICS

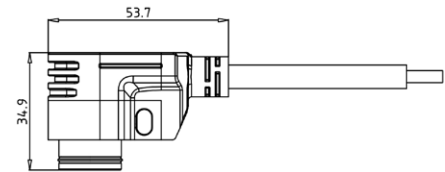
Temperature Range:	-25°C up to +80°C
Rated Voltage:	48V AC / 60V DC
Rated Current:	100A / 2A
Contact Resistance:	≤10mΩ
Insulation Resistance:	≥20MΩ
Protection Level:	IP67
Mating Cycles:	3000 times
Outside diameter:	28mm
Fitting length:	97mm
Wire Specification:	2 x 16,0mm <sup>2</sup> + 6 x 0,5mm <sup>2</sup>



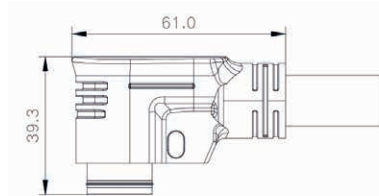
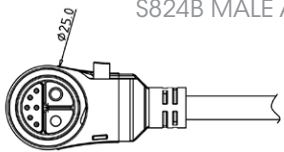
# HIGO



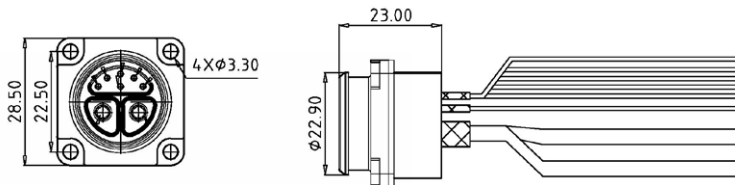
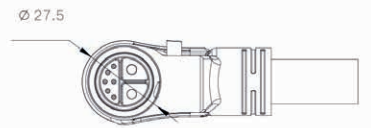
# BATTERY CONNECTORS SELF-LOCKING, BUTTON RELEASE



S824B MALE ANGLED PLUG



S824A MALE ANGLED PLUG



FEMALE PANEL MOUNT



## ARTICLE NUMBER BUILD-UP:

Number of poles:  
8 (6+2)

A: rated current = 70A / 2A  
B: rated current = 40A / 2A

00: Standard  
01: Cable & wires stripped + tinned  
03: With solder cup contacts with wires  
05: Customised with other connectors

S 8 2 4 \* \* \* \* \* \* \* \*

M: Female  
G: Male

A: Angled plug  
C: Panel Mount

EXTENSION CABLES:  
X: Male-Female  
Y: Female-Female  
Z: Male-Male

Cable length in mm

**A type:**  
FP: PVC cable, 2x10,0mm<sup>2</sup> + 6x0,20mm<sup>2</sup>  
FQ: PVC single wires, 2x10,0mm<sup>2</sup> + 6x0,20mm<sup>2</sup>

**B type:**  
FR: PVC cable, 2x4,0mm<sup>2</sup> + 6x0,20mm<sup>2</sup>  
FS: PVC single wires, 2x4,0mm<sup>2</sup> + 6x0,20mm<sup>2</sup>

## CHARACTERISTICS

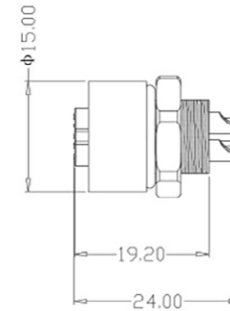
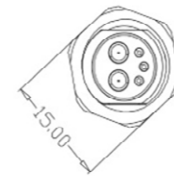
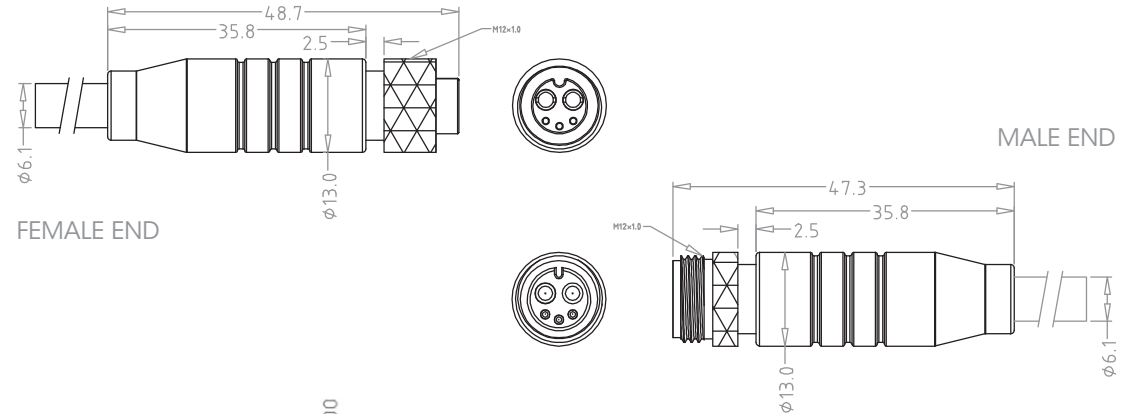
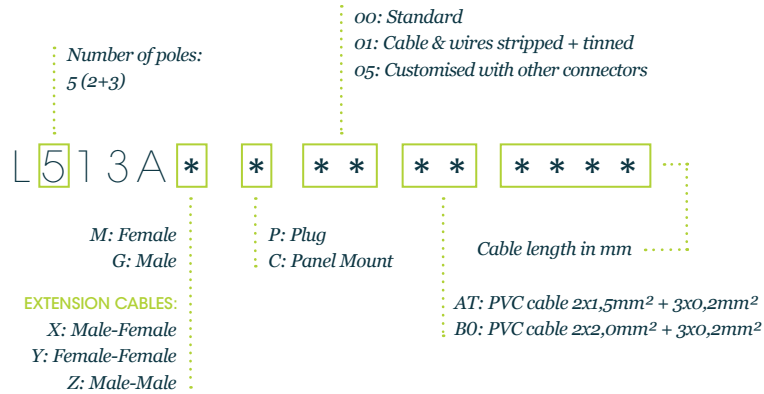
Temperature Range:	-25°C up to +80°C
Rated Voltage:	48V AC / 60V DC
Rated Current:	70A (A) or 40A (B) / 2A
Contact Resistance:	≤10mΩ
Insulation Resistance:	≥20MΩ
Protection Level:	IP67
Mating Cycles:	3000 times
Outside diameter:	25,0mm <sup>2</sup> (P) / 22,9mm <sup>2</sup> (C)
Wire Specification:	6 x 0,2mm <sup>2</sup> + 2 x 10,0mm <sup>2</sup> (A) / 6 x 0,2mm <sup>2</sup> + 2 x 4,0mm <sup>2</sup> (B)

# CONNECTOR

# BATTERY CONNECTORS SCREW-LOCKING



## ARTICLE NUMBER BUILD-UP:



FEMALE FRONT PANEL MOUNT

## CHARACTERISTICS

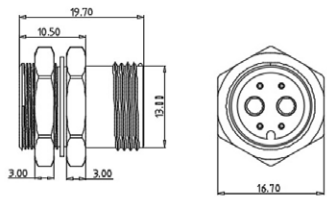
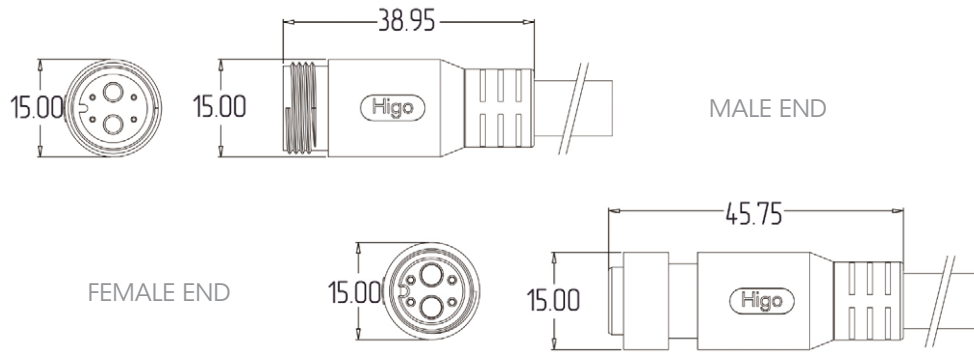
Temperature Range:	-25°C up to +80°C
Rated Voltage:	48V AC / 60V DC
Rated Current:	25A / 2A
Contact Resistance:	≤10mΩ
Insulation Resistance:	≥20MΩ
Protection Level:	IP67
Mating cycles:	200 times
Outside Diameter:	13,0mm
Fitting length:	96,0mm
Wire Specification:	1,5mm <sup>2</sup> + 0,2mm <sup>2</sup> / 2,0mm <sup>2</sup> + 0,2mm <sup>2</sup>



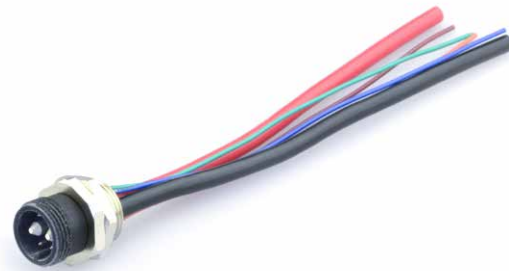
# HIGO



# BATTERY CONNECTORS SCREW-LOCKING



MALE FRONT PANEL MOUNT



## ARTICLE NUMBER BUILD-UP:

Number of poles: 6(2+4)

00: Standard  
01: Cable & wires stripped + tinned  
03: with solder cup contacts with wires  
05: Customised with other connectors

L615A\* \* \* \* \* \*

M: Female  
G: Male

P: Plug  
C: Panel Mount

Cable length in mm

DC: PVC cable 2x4,0mm<sup>2</sup> + 4x0,2mm<sup>2</sup>  
DR : PVC single wires 2x4,0mm<sup>2</sup>+4x0,2mm<sup>2</sup>

EXTENSION CABLES:  
X: Male-Female  
Y: Female-Female  
Z: Male-Male

## CHARACTERISTICS

Temperature Range:	-25°C up to +80°C
Rated Voltage:	48V AC / 60V DC
Rated Current:	40A / 2A
Contact Resistance:	≤10mΩ
Insulation Resistance:	≥20MΩ
Protection Level:	IP67
Mating Cycles:	200 times
Outside diameter:	15,0mm
Fitting length:	77,5mm
Wire Specifications:	2 x 4,0mm <sup>2</sup> / 4 x 0,2mm <sup>2</sup>

# CONNECTOR



'Where does the E-mobility market take us? What's the next big thing? And how can we add value to this? Staying ahead of what's coming is never easy. Of course, we're fortunate to be able to listen to product development plans of many E-mobility entrepreneurs every day. This pretty much gives us a good indication as to where we should focus on. Finding the blind spots in our range and coming up with smart solutions that help realising a customer's great project, that's what makes me tick'.

*Jannes Christiaensen, International Account Manager*





# MOTOR CONNECTORS



PUSH-ON 3P

58



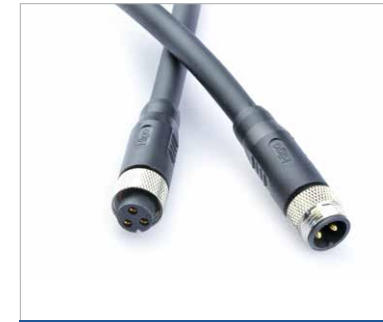
PUSH-ON 6P & 9P

59 - 61



PUSH-ON 10P & 11P

62 - 63



SCREW LOCKING 3P

64



SCREW LOCKING 10P

65 - 66



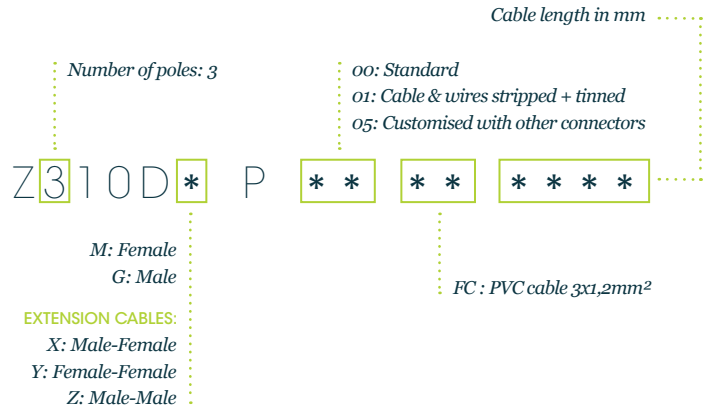
SCREW LOCKING 11P

67

# MOTOR CONNECTORS **PUSH-ON**

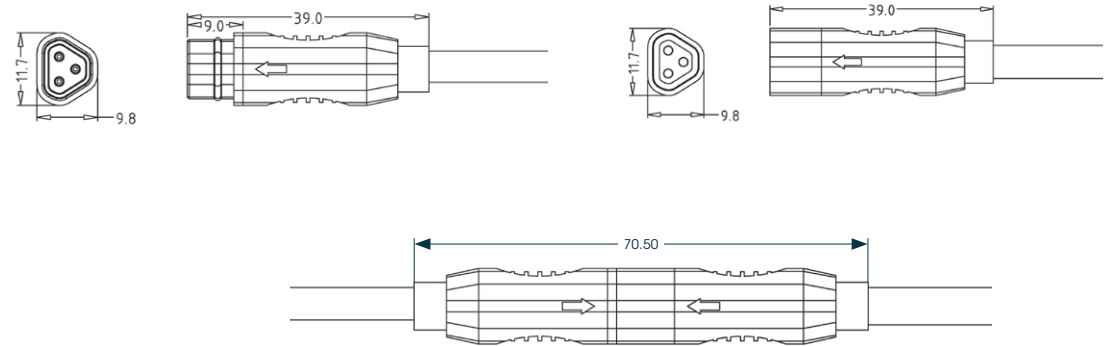


## ARTICLE NUMBER BUILD-UP:



MALE END

FEMALE END



## CHARACTERISTICS

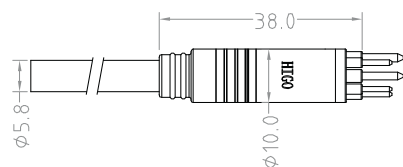
Temperature Range:	-25°C up to +80°C
Rated Voltage:	48V AC / 60V DC
Rated Current:	15A
Contact Resistance:	≤10mΩ
Insulation Resistance:	≥20MΩ
Protection Level:	IP67
Mating Cycles:	200 times
Outside Diameter:	11,72mm x 9,8mm
Fitting Length:	71,0mm
Wire Specification:	1,2mm <sup>2</sup>



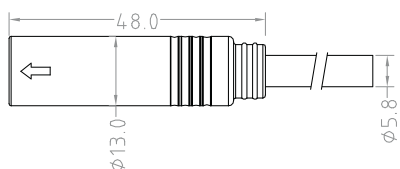
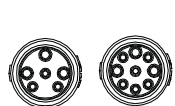
# HIGO



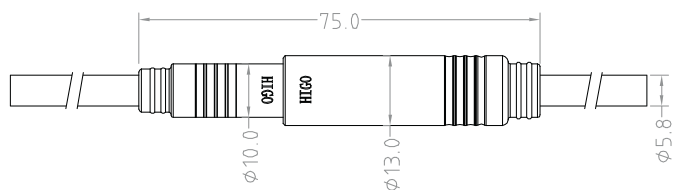
# MOTOR CONNECTORS **PUSH-ON**



MALE END



FEMALE END



## ARTICLE NUMBER BUILD-UP:

Number of poles:  
6 (3+3) / 9 (3+6)

oo: Standard  
o1: Cable & wires stripped + tinned  
o5: Customised with other connectors

Cable length in mm

Z \* 10A \* P \* \* \* \* \*

M: Female  
G: Male

EXTENSION CABLES:  
X: Male-Female  
Y: Female-Female  
Z: Male-Male

AC: PVC cable 3x1,2mm<sup>2</sup> + 3x0,2mm<sup>2</sup>  
AD: PVC cable 3x1,5mm<sup>2</sup> + 3x0,2mm<sup>2</sup>  
AE: PVC cable 3x1,2mm<sup>2</sup> + 6x0,2mm<sup>2</sup>  
AF: PVC cable 3x1,5mm<sup>2</sup> + 6x0,14mm<sup>2</sup>

## CHARACTERISTICS

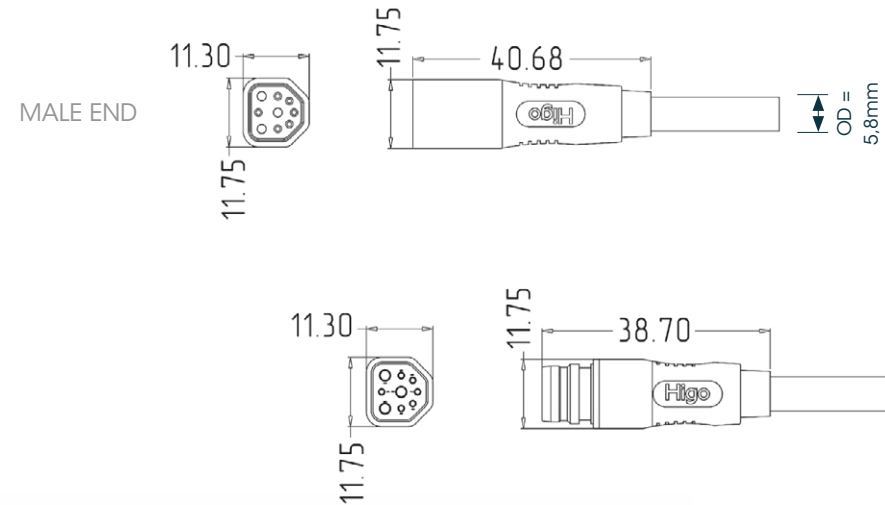
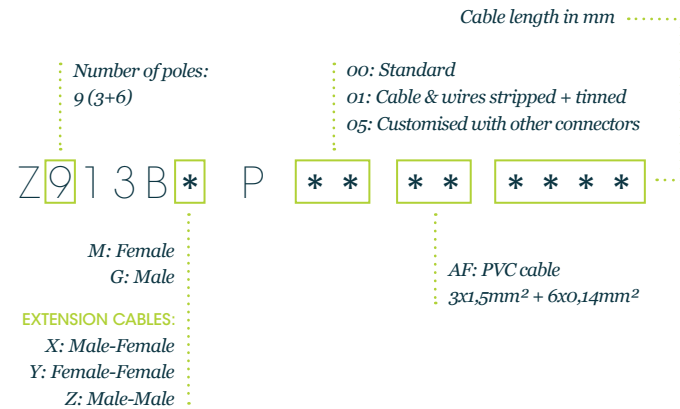
Temperature Range:	-25°C up to +80°C
Rated Voltage:	48V AC / 60V DC
Rated Current:	15A / 2A
Contact Resistance:	≤10mΩ
Insulation Resistance:	≥20MΩ
Protection Level:	IP66
Mating Cycles:	200 times
Outside Diameter:	13,0mm
Fitting Length:	75,0mm
Wire Specification:	1,2mm <sup>2</sup> / 1,5mm <sup>2</sup> +0,2mm <sup>2</sup>

# CONNECTOR

# MOTOR CONNECTORS **PUSH-ON**



## ARTICLE NUMBER BUILD-UP:



## CHARACTERISTICS

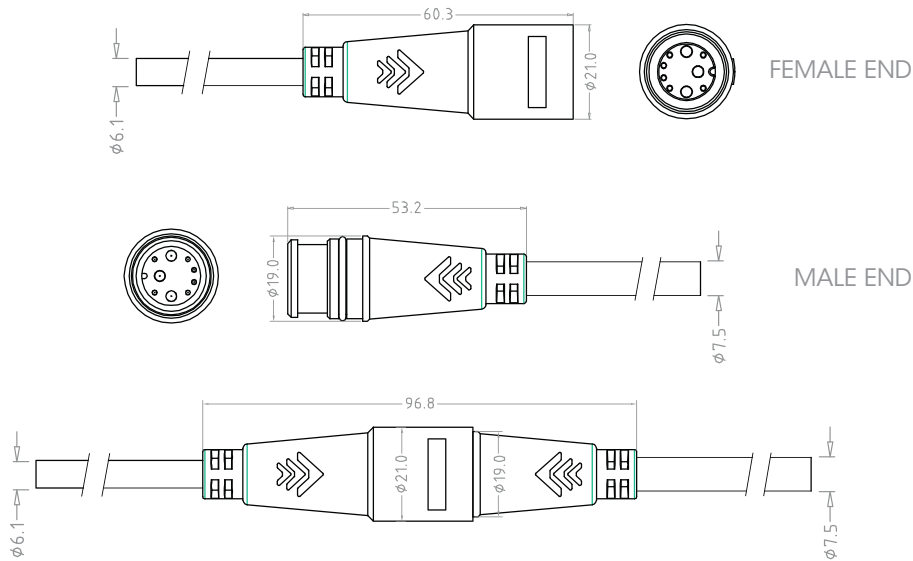
Temperature Range:	-25°C up to +80°C
Rated Voltage:	48V AC / 60V DC
Rated Current:	15A / 2A
Contact Resistance:	≤10mΩ
Insulation Resistance:	≥20MΩ
Protection Level:	IP67
Mating Cycles:	200 times
Outside Diameter:	11,75mm x 11,30mm
Fitting Length:	70,7mm
Wire Specification:	3 x 1,5mm <sup>2</sup> + 6 x 0,14mm <sup>2</sup> / 3 x 1,2mm <sup>2</sup> + 6 x 0,2mm <sup>2</sup>



# HIGO



# MOTOR CONNECTORS **PUSH-ON**



## ARTICLE NUMBER BUILD-UP:

Number of poles:  
9 (3+6)

Cable length in mm

00: Standard  
01: Cable & wires stripped + tinned  
05: Customised with other connectors

Z919A\* P \*\* \*\* \*\* \*

M: Female  
G: Male

AE: PVC cable 3x1,2mm<sup>2</sup> + 6x0,2mm<sup>2</sup>  
AF: PVC cable 3x1,5mm<sup>2</sup> + 6x0,14mm<sup>2</sup>  
AK: PVC cable 3x2,0mm<sup>2</sup> + 6x0,15mm<sup>2</sup>

## CHARACTERISTICS

Temperature Range:	-25°C up to +80°C
Rated Voltage:	48V AC / 60V DC
Rated Current:	30A / 2A, 3 power pin loaded
Contact Resistance:	≤10mΩ
Insulation Resistance:	≥20MΩ
Protection Level:	IP66
Contact Durability:	200 times
Outside Diameter:	21,0mm
Fitting Length:	96,8mm
Wire Specification:	2,0mm <sup>2</sup> + 0,15mm <sup>2</sup>

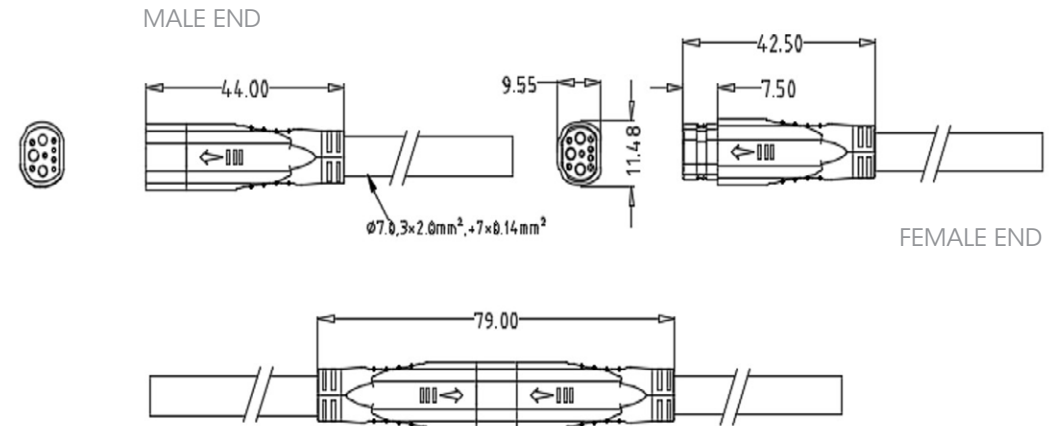
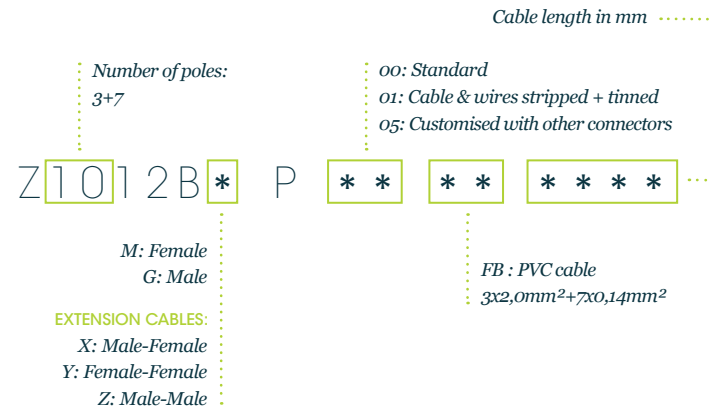


# CONNECTOR

# MOTOR CONNECTORS **PUSH-ON**



## ARTICLE NUMBER BUILD-UP:



## CHARACTERISTICS

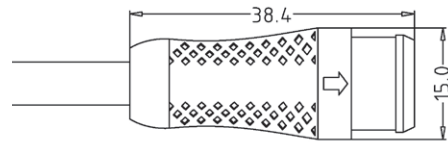
Temperature Range:	-25°C up to +80°C
Rated Voltage:	48V AC / 60V DC
Rated Current:	20A / 2A
Contact Resistance:	≤10mΩ
Insulation Resistance:	≥20MΩ
Protection Level:	IP67
Mating Cycles:	200 times
Outside Diameter:	11,48mm x 9,55mm
Fitting Length:	79,0mm
Wire Specification:	3 x 2,0mm <sup>2</sup> + 7 x 0,14mm <sup>2</sup> / 3 x 1,5mm <sup>2</sup> + 7 x 0,14mm <sup>2</sup>



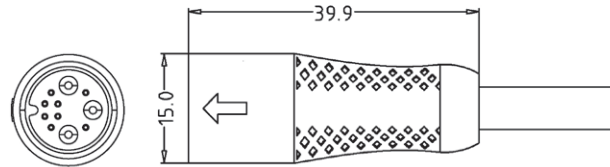
# HIGO



# MOTOR CONNECTORS **PUSH-ON**



MALE END



FEMALE END



## ARTICLE NUMBER BUILD-UP:

*Cable length in mm*

Number of poles:  
11 (3+8)

00: Standard  
01: Cable & wires stripped + tinned  
05: Customised with other connectors

Z 11 15 A \* P \* \* \* \* \*

M: Female  
G: Male

P: Plug

DU: PVC cable  
3x2,5mm<sup>2</sup> + 8x0,14mm<sup>2</sup>

EXTENSION CABLES:  
X: Male-Female  
Y: Female-Female  
Z: Male-Male

## CHARACTERISTICS

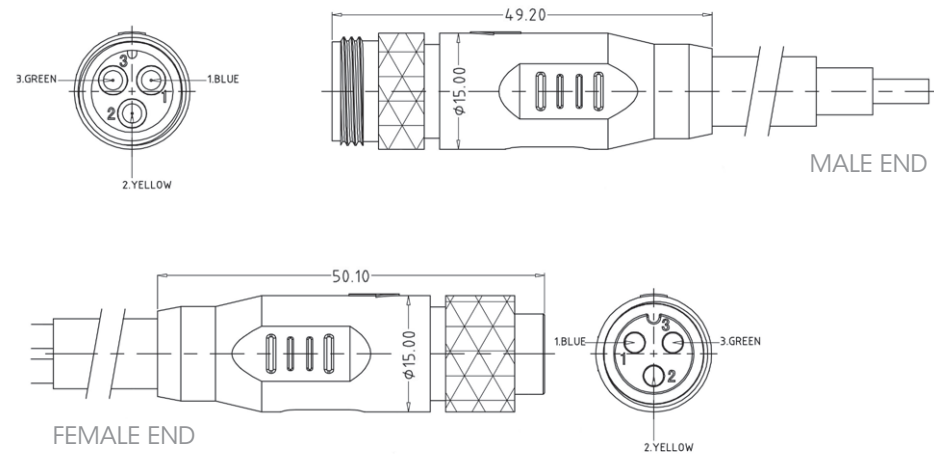
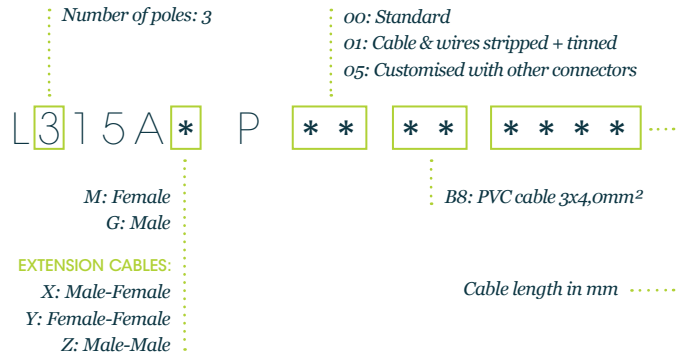
Temperature Range:	-25°C up to +80°C
Rated Voltage:	48V AC / 60V DC
Rated Current:	25A / 2A
Contact Resistance:	≤10mΩ
Insulation Resistance:	≥20MΩ
Protection Level:	IP67
Mating Cycles:	200 times
Outside Diameter:	15,0mm
Fitting Length:	70,0mm
Wire Specification:	3 x 2,5mm <sup>2</sup> + 8 x 0,14mm <sup>2</sup>

# CONNECTOR

# MOTOR CONNECTORS SCREW LOCKING



## ARTICLE NUMBER BUILD-UP:



## CHARACTERISTICS

Temperature Range:	-25°C up to +80°C
Rated Voltage:	48V AC / 60V DC
Rated Current:	35A, 2 power pin loaded 28A, 3 power pin loaded
Contact Resistance:	≤10mΩ
Insulation Resistance:	≥20MΩ
Protection Level:	IP67
Mating Cycles:	200 times
Outside Diameter:	15,0mm
Fitting Length:	90,0mm
Wire Specification:	3 x 4,0mm <sup>2</sup>



# HIGO

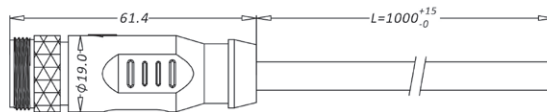




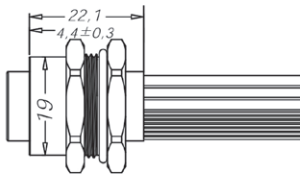
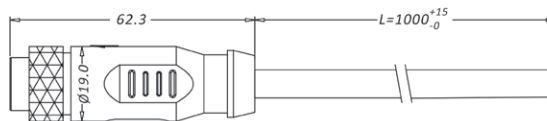
# MOTOR CONNECTORS

SCREW LOCKING

MALE PLUG



FEMALE PLUG



FEMALE REAR PANEL MOUNT



## ARTICLE NUMBER BUILD-UP:

Number of poles:  
10 (3+7)

00: Standard  
01: Cable & wires stripped + tinned  
03: With solder cup contacts with wires  
05: Customised with other connectors

L1019A\* \* \* \* \*

M: Female  
G: Male

EXTENSION CABLES:  
X: Male-Female  
Y: Female-Female  
Z: Male-Male

AZ: PVC cable  
3x4,0mm<sup>2</sup> + 7x0,14mm<sup>2</sup>  
DQ: Single wires,  
3x4,0mm<sup>2</sup>+7x0,20mm<sup>2</sup>

P: Plug  
C: Front panel mount  
R: Rear panel mount

Cable length in mm

## CHARACTERISTICS

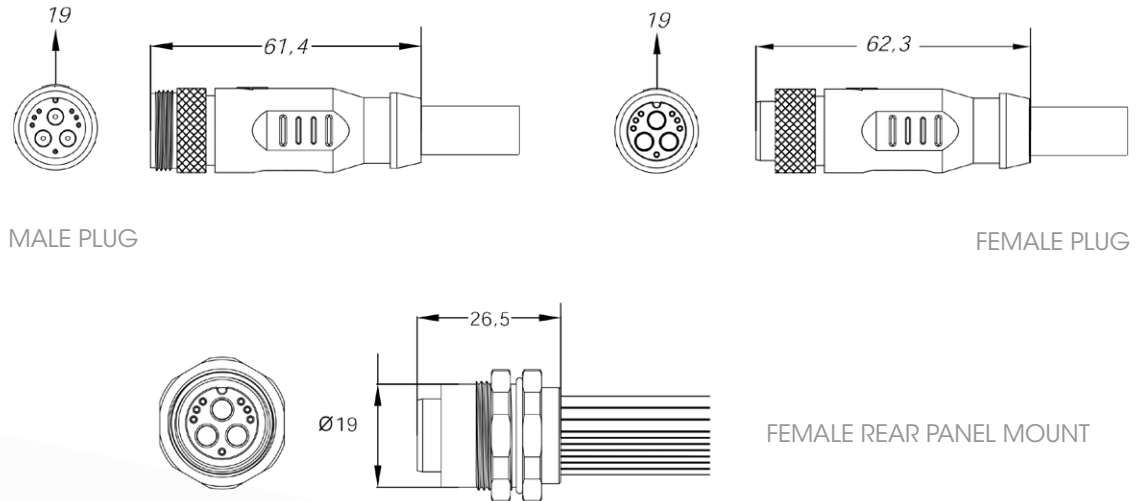
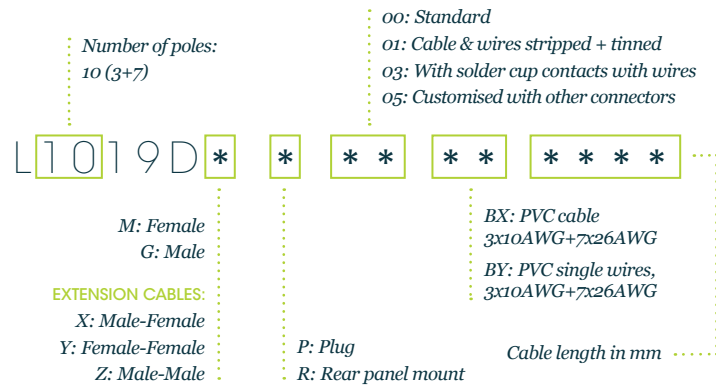
Temperature Range:	-25°C up to +80°C
Rated Voltage:	48V AC / 60V DC
Rated Current:	30A / 2A, 3 power pin loaded
Contact Resistance:	≤10mΩ
Insulation Resistance:	≥20MΩ
Protection Level:	IP67
Mating Cycles:	200 times
Outside Diameter:	19,0mm
Fitting Length:	114,0mm
Wire Specification:	3 x 4,0mm <sup>2</sup> + 7 x 0,14mm <sup>2</sup>

# CONNECTOR

# MOTOR CONNECTORS SCREW LOCKING



## ARTICLE NUMBER BUILD-UP:



## CHARACTERISTICS

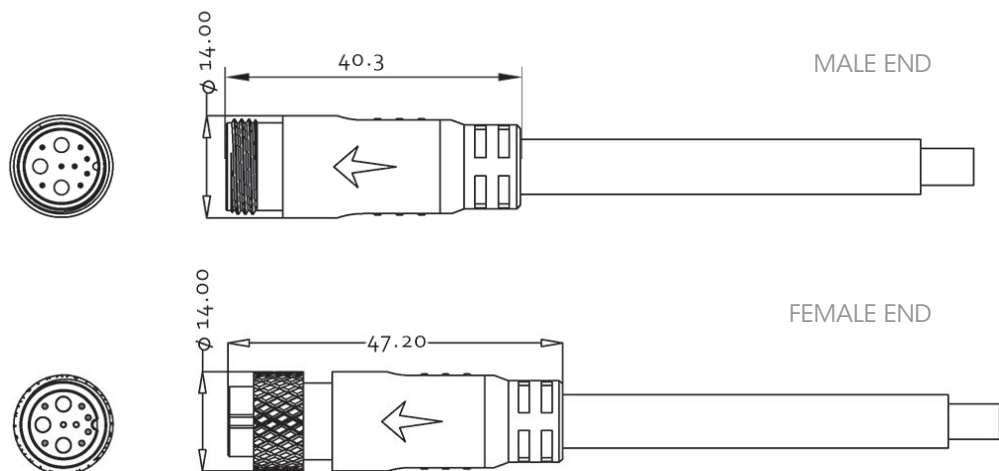
Temperature Range:	-25°C up to +80°C
Rated Voltage:	48V AC / 60V DC
Rated Current:	45A / 2A, 2 power pin loaded 40A / 2A, 3 power pin loaded
Contact Resistance:	≤10mΩ
Insulation Resistance:	≥20MΩ
Protection Level:	IP67
Mating Cycles:	200 times
Outside Diameter:	19,0mm
Fitting Length:	114,0mm
Wire Specification:	3 x 10AWG + 7 x 26AWG



# HIGO



# MOTOR CONNECTORS SCREW LOCKING



## ARTICLE NUMBER BUILD-UP:

Number of poles:  
11 (8+3)

oo: Standard  
o1: Cable & wires stripped + tinned  
o5: Customised with other connectors

L 1 1 1 4 A \* P \* \* \* \* \*

M: Female  
G: Male

EXTENSION CABLES:  
X: Male-Female  
Y: Female-Female  
Z: Male-Male

FF: PVC cable  
3x2,0mm<sup>2</sup>+8x0,14mm<sup>2</sup>

Cable length in mm



## CHARACTERISTICS

Temperature Range:	-25°C up to +80°C
Rated Voltage:	48V AC / 60V DC
Rated Current:	20A / 2A
Contact Resistance:	≤10mΩ
Insulation Resistance:	≥20MΩ
Protection Level:	IP67
Mating Cycles:	200 times
Outside Diameter:	14,0mm
Fitting Length:	80,0mm
Wire Specification:	2,0mm <sup>2</sup> / 0,14mm <sup>2</sup>

# CONNECTOR

# Discover our complete connector & power supply range






**ELECTRONICS & AUTOMATION**

New Delta power supply series for a wide of industrial applications




**DELTA POWER SUPPLIES**

**E-MOBILITY**

## CONNECTORS



## POWER SUPPLIES



 I'm made of 100% recycled paper



HIGO TECHNOLOGY (SUZHOU) CO.,LTD  
 Building 6, 286 Qinglonggang Road  
 Xiangcheng District, Suzhou 215131, Jiangsu, China



Slachthuisstraat 68, B-2300 Turnhout  
 +32 (0)14 73 53 70 - higo@ac-solutions.be  
 www.higoconnector.com | www.ac-solutions.be