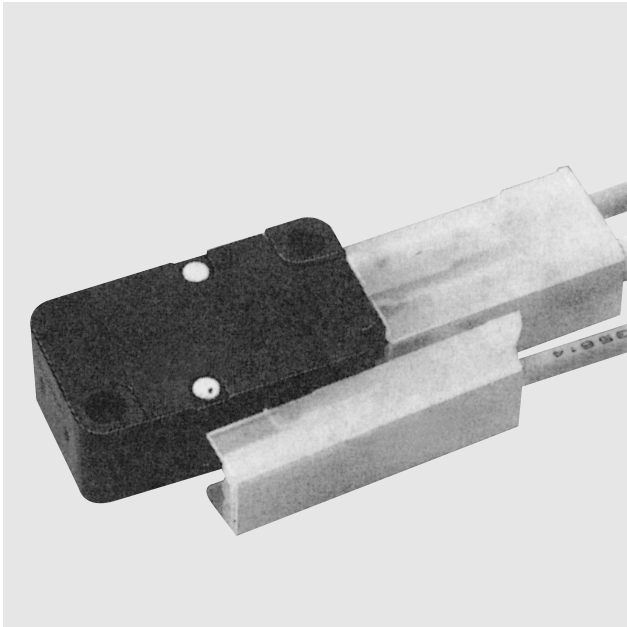


MICROSWITCH CONNECTOR



This microswitch connector conforms to the Electrical Appliance and Material Safety Law in Japan. The connector can be easily attached to a microswitch with light force, facilitating assembly work. It is also constructed to prevent misinsertion of the contacts when inserting them into the housing. Easy to install, it ensures improved working efficiency in the assembly of harnesses.

Specifications

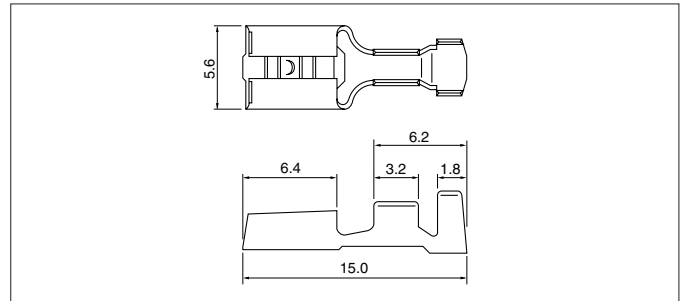
- Current rating: 10A AC, DC
- Voltage rating: 250V AC, DC
- Insulation resistance: 1,000M Ω min.
- Withstanding voltage: 1,500V AC/minute

Standards

Recognized E60389

Certified LR20812

Contact



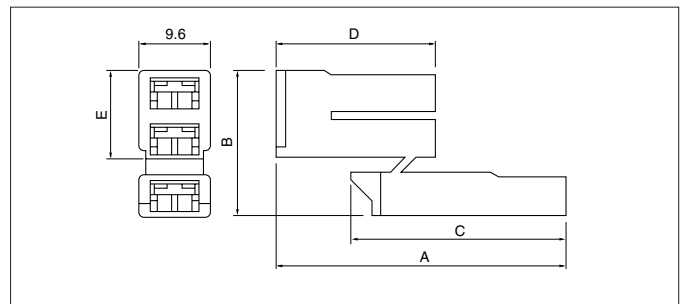
Model No.	Applicable wire			Q'ty/reel
	mm ²	AWG #	Insulation O.D. (mm)	
STO-41T-187S	0.3 to 1.25	22 to 16	1.7 to 3.4	10,000

Material and Finish
Brass, tin-plated

RoHS compliance

Note: Contact JST for details if you require special wires, or if two wires must be crimped in one contact.

Housing



Model No.	Dimensions (mm)					Q'ty/bag
	A	B	C	D	E	
3V-187	40.5	19.6	29.5	22.0	11.9	500
3V-187L	47.0	18.6	33.5	19.8	11.6	

Material
PA 66, UL94V-2

RoHS compliance

Crimping machine, Applicator

Contact	Crimping machine	Crimp applicator	Dies	Crimp applicator with dies
STO-41T-187S	AP-K2N	MK-L	MK/STO-41-187S	APLMK STO41-187S

* Compliant with RoHS.

* Refer to "General Instruction and Notice when using Terminals and Connectors" at the end of this catalog.

* Contact JST for details.