

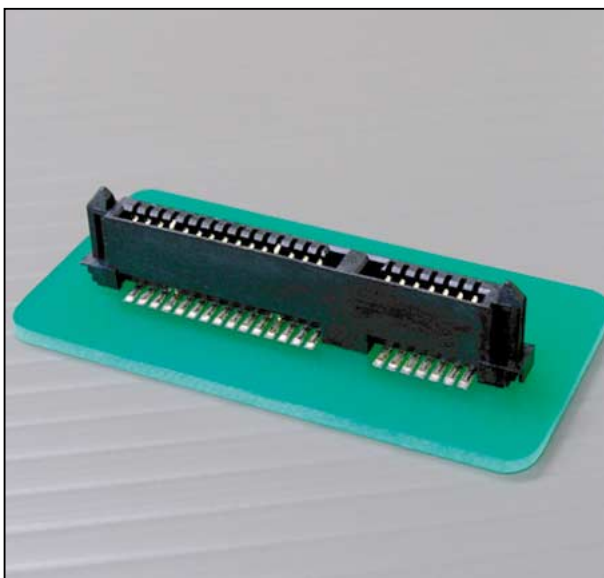
NEW PRODUCT

For Serial ATA Interface

HAS CONNECTOR Socket/Top type

1.27mm Pitch

This connector is the socket (22 circuits ; Signal: 7 circuits, Power: 15circuits) to correspond to the 2.5 HDD that complies with Serial ATA standard.



■ Features

● Space saving design

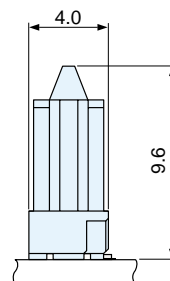
This connector height on the PC board is 9.6mm, it is designed for the space saving.

● For Mounting on the PC board

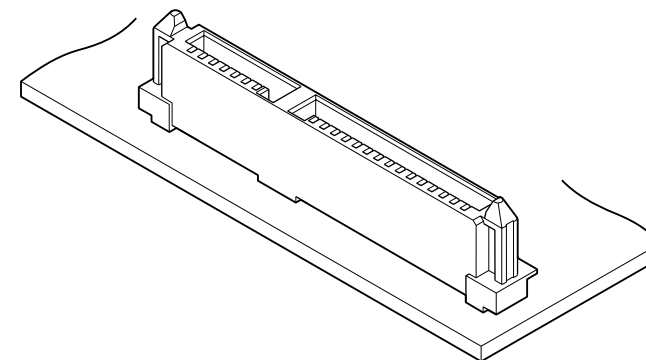
This connector is with the boss for a decided position on the PC board.

● Complying with Serial ATA standard

This connector complies with Serial ATA standard.



JST



■ Specifications

- Current rating : 1.5A AC,DC
- Voltage rating : 30 V AC,DC
- Temperature range : — 40°C to +105°C (including temperature rise in applying electrical current)
- Insulation resistance : 1,000 MΩ min.
- Withstanding voltage : AC 500V / 1 minute
- No. of Circuits : 22 circuits
- Direction of entry : Top entry
- Product Number : HAS1-22SC00-51K

J.S.T. MFG. CO., LTD.
<http://www.jst-mfg.com>